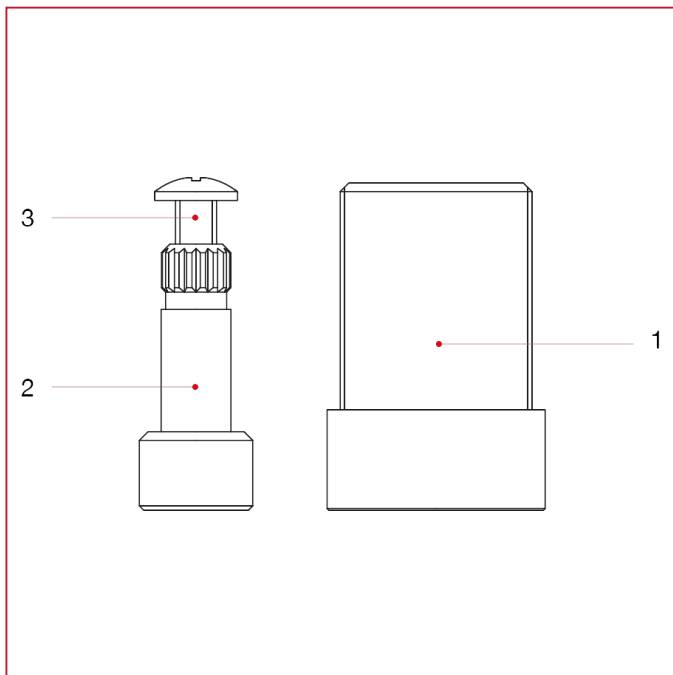




BUILD-IN VALVES AND SUPPLY STOPS

PROL136 Spacer

MATERIALS



POS.	DESCRIPTION	N.	MATERIAL
1	Body	1	Brass CW614N
2	Extension for stem	1	Brass CW614N
3	Screw	1	Zinc-plated steel