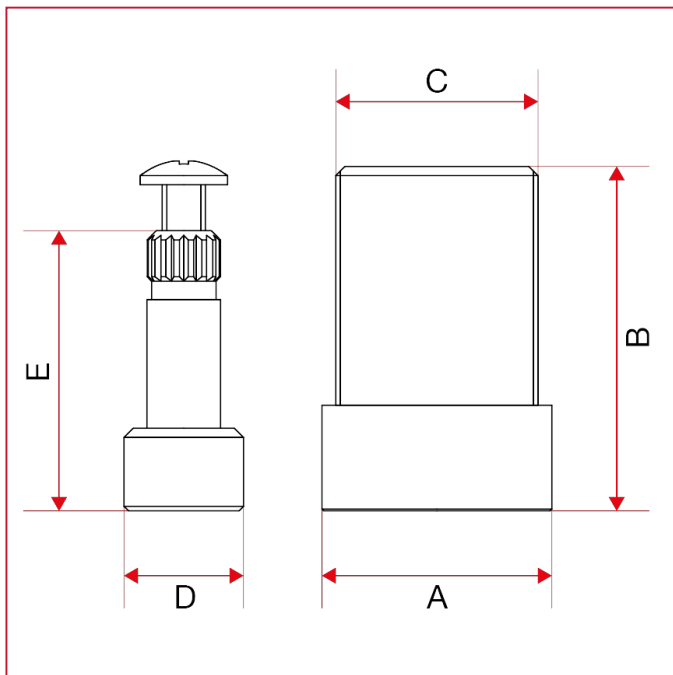




BUILD-IN VALVES AND SUPPLY STOPS

PROL136 Spacer

OVERALL DIMENSIONS



A	25
B	37,5
C	W22x19F x1
D	13
E	30,5