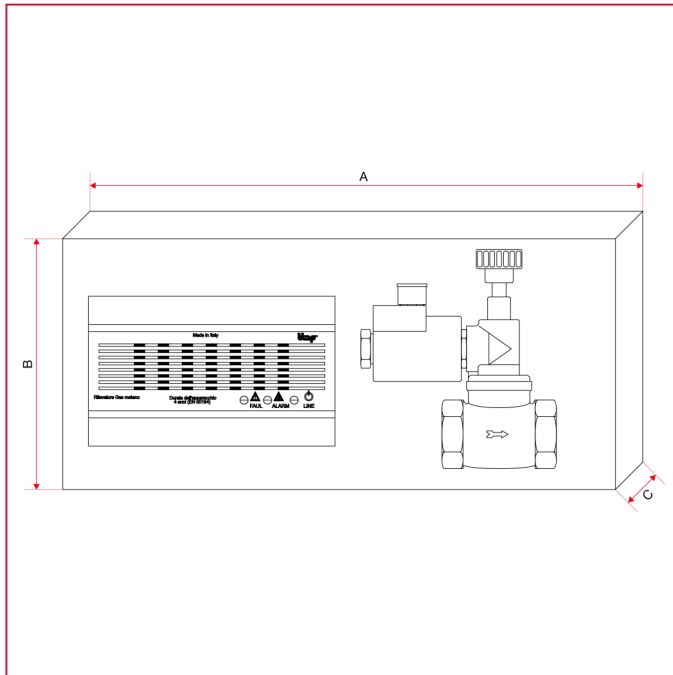




GAS LEAK DETECTORS AND SOLENOID SAFETY VALVES

998 Gas safety kit

OVERALL DIMENSIONS



998M

	1/2"	3/4"
A	300	300
B	150	150
C	50	50

998G

	1/2"	3/4"
A	300	300
B	150	150
C	50	50