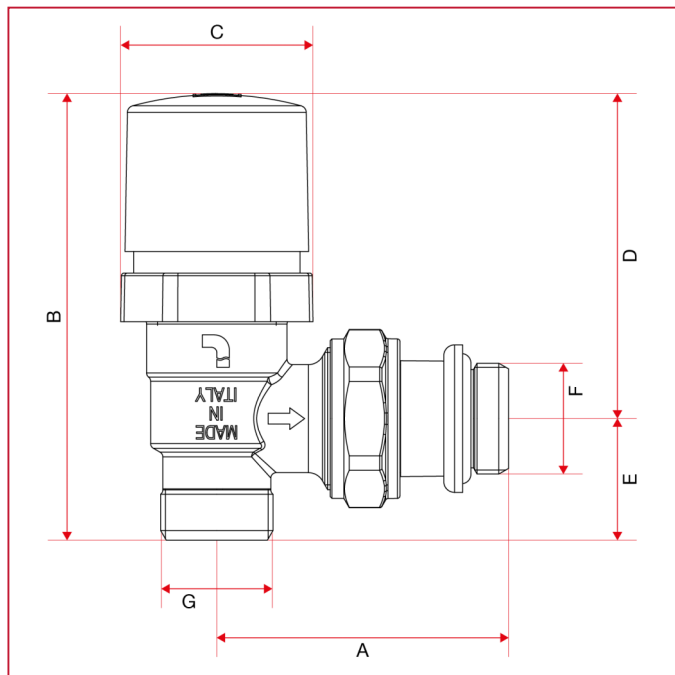




# CONVERTIBLE VALVES AND LOCKSHIELDS

## 995V Angle convertible valve with handle, male thread

### OVERALL DIMENSIONS



	3/8"	1/2"
DN	10	15
A	50	53,5
B	80,7	82,7
C	35,6	35,6
D	60,7	60,7
E	20,5	22,5
F	3/8"	1/2"
G	1/2"	1/2"
Kg/cm <sup>2</sup> bar	10	10
LBS - psi	145	145