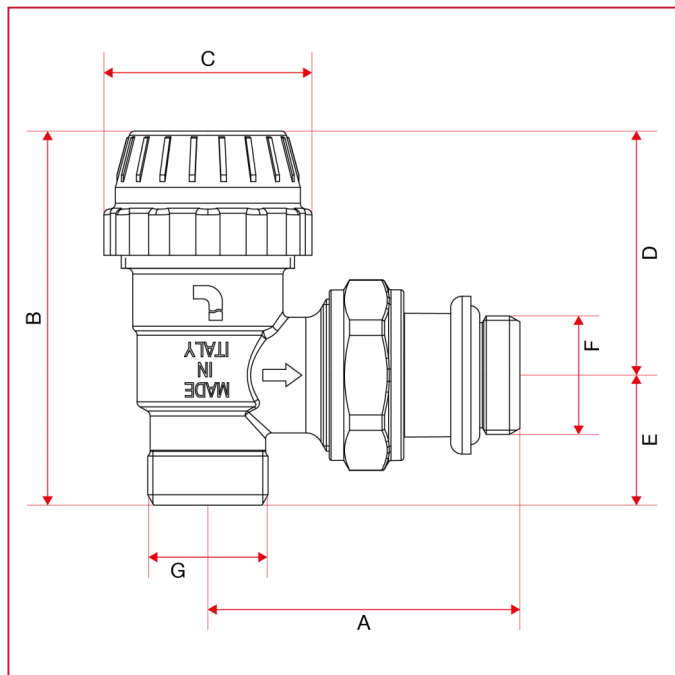




CONVERTIBLE VALVES AND LOCKSHIELDS

995C Angle convertible valve with cap, male thread

OVERALL DIMENSIONS



	3/8"	1/2"
DN	10	15
A	50	53,5
B	62,7	64,7
C	36	36
D	42,2	42,2
E	20,5	22,5
F	3/8"	1/2"
G	1/2"	1/2"
Kg/cm ² bar	10	10
LBS - psi	145	145