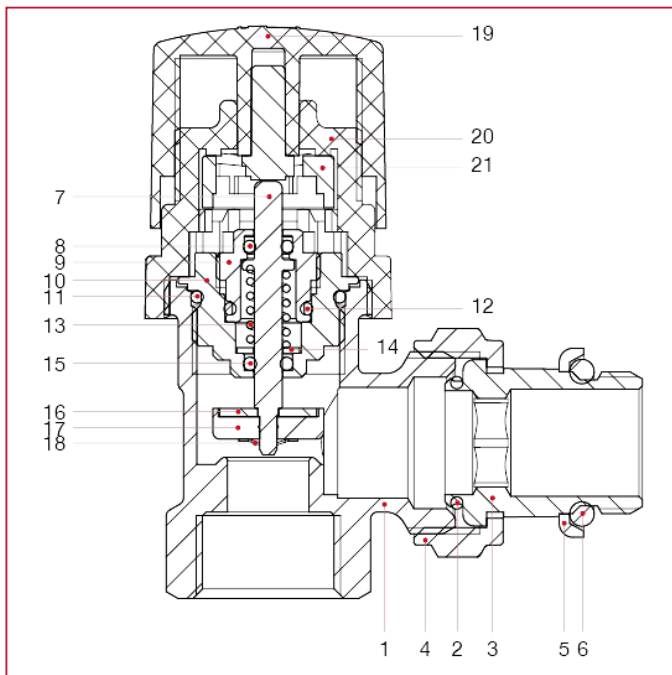




# CONVERTIBLE VALVES AND LOCKSHIELDS

## 994V Angle convertible valve with handle, female thread

### MATERIALS



POS.	DESCRIPTION	N.	MATERIAL
1	Body	1	Nickel-plated brass CW617N
2	Washer	1	NBR
3	Union	1	Nickel-plated brass CW617N
4	Nut	1	Nickel-plated brass CW617N
5	Ring	1	Zinc-plated steel Fe
6	Washer	1	NBR
7	Stem	1	Brass CW614N
8	Washer	1	EPDM
9	Ring nut	1	Brass CW614N
10	Body	1	Brass CW614N
11	O-ring	1	EPDM
12	O-ring	1	EPDM
13	Spring	1	Stainless steel AISI 302
14	Washer	1	Stainless steel AISI 304
15	O-ring	1	EPDM
16	Washer	1	Stainless steel AISI 304
17	Washer	1	EPDM
18	Seeger	1	Stainless steel AISI 304
19	Cap	1	ABS
20	Body	1	ABS
21	Hook	1	Polycarbonate