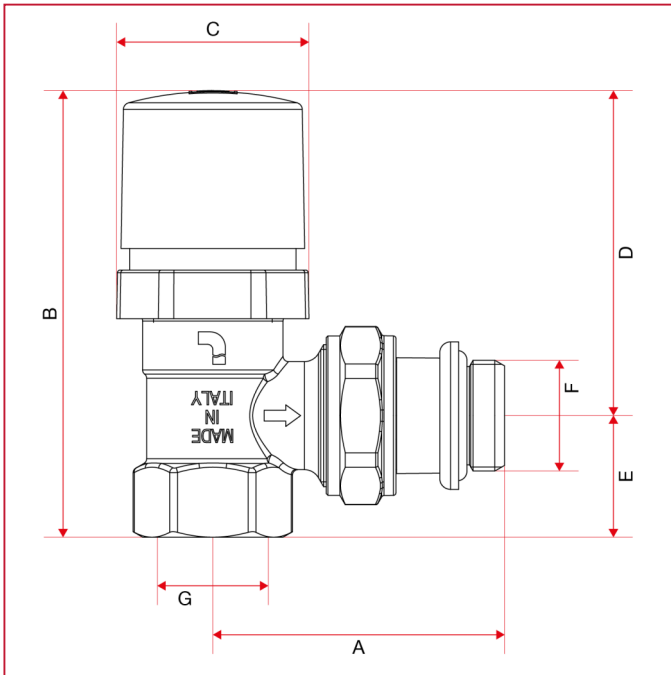




CONVERTIBLE VALVES AND LOCKSHIELDS

994V Angle convertible valve with handle, female thread

OVERALL DIMENSIONS



	3/8"	1/2"
DN	10	15
A	50	53,5
B	80,7	82,7
C	35,6	35,6
D	60,2	60,2
E	20,5	22,5
F	3/8"	1/2"
G	3/8"	1/2"
Kg/cm ² bar	10	10
LBS - psi	145	145