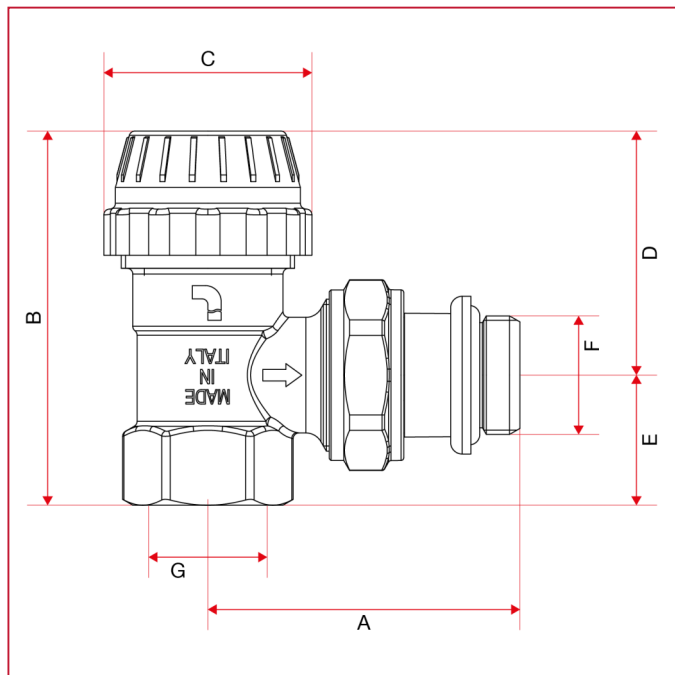




CONVERTIBLE VALVES AND LOCKSHIELDS

994C Angle convertible valve with cap, female thread

OVERALL DIMENSIONS



| | 3/8" | 1/2" |
|------------------------|------|------|
| DN | 10 | 15 |
| A | 50 | 53,5 |
| B | 62,7 | 64,7 |
| C | 36 | 36 |
| D | 42,2 | 42,2 |
| E | 20,5 | 22,5 |
| F | 3/8" | 1/2" |
| G | 3/8" | 1/2" |
| Kg/cm ² bar | 10 | 10 |
| LBS - psi | 145 | 145 |