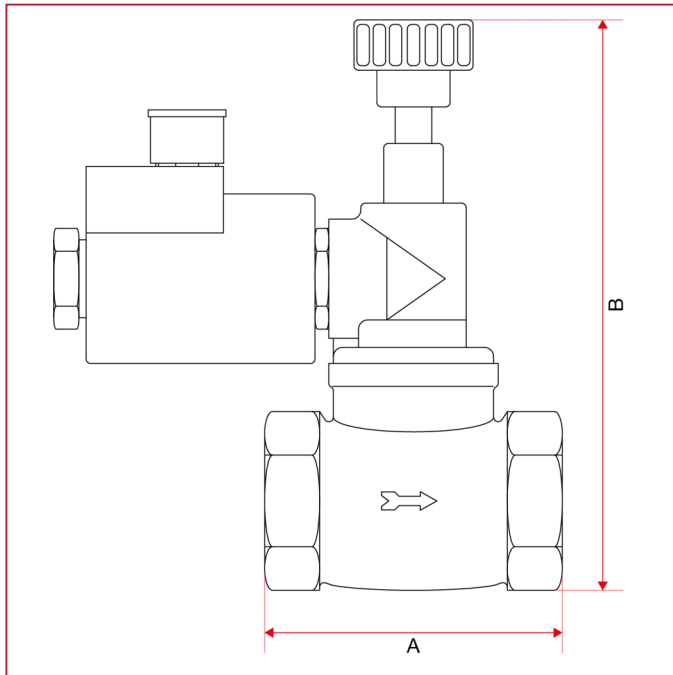




GAS LEAK DETECTORS AND SOLENOID SAFETY VALVES

993 Solenoid safety valve, normally open

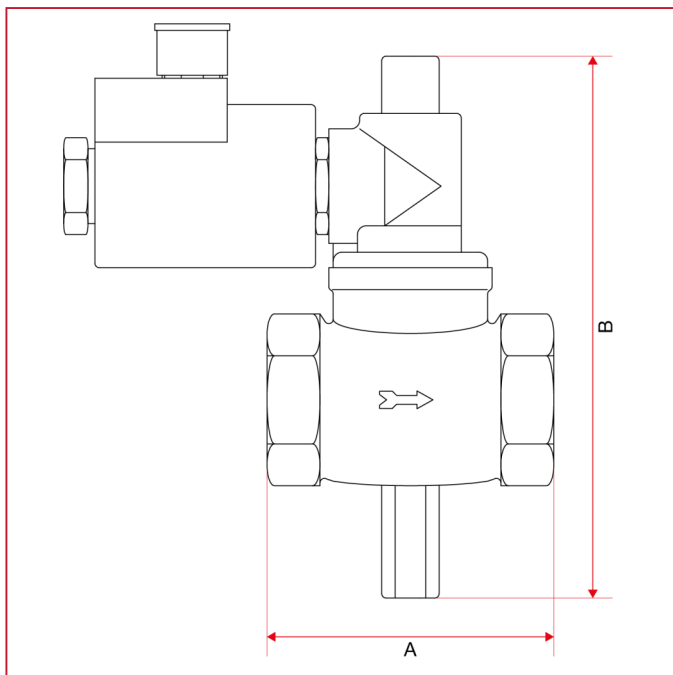
OVERALL DIMENSIONS art.993M



993M

	1/2"	3/4"	1"	1"1/4	1"1/2	2"
A	65	65	78	114	114	139
B	125	125	130	174	174	182
LBS - psi	8	8	8	8	8	8

OVERALL DIMENSIONS art.993G





GAS LEAK DETECTORS AND SOLENOID SAFETY VALVES

993G

	1/2"	3/4"	1"	1"1/4	1"1/2	2"
A	65	65	78	114	114	139
B	165	165	170	195	195	200
Kg/cm ² bar	6	6	6	6	6	6
LBS - psi	87	87	87	87	87	87