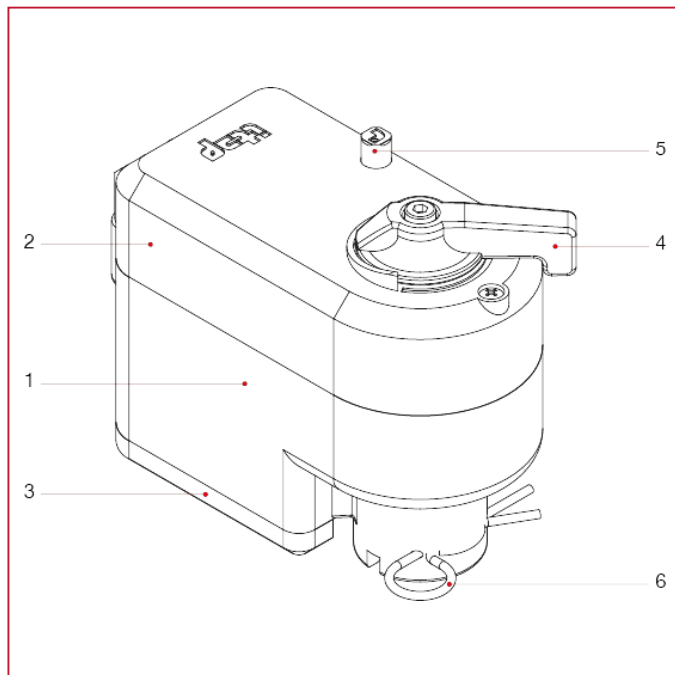




ELECTRIC ACTUATORS AND ZONE BALL VALVES

991 Electric actuator for zone ball valves with manual unlocking device

MATERIALS



POS.	DESCRIPTION	N.	MATERIAL
1	Base	1	Nylon
2	Up cover	1	Makrolon® 2207
3	Down cover	1	Nylon
4	Handle	1	ABS
5	Unlocking	1	ABS
6	Split pin	1	EN 10270-3