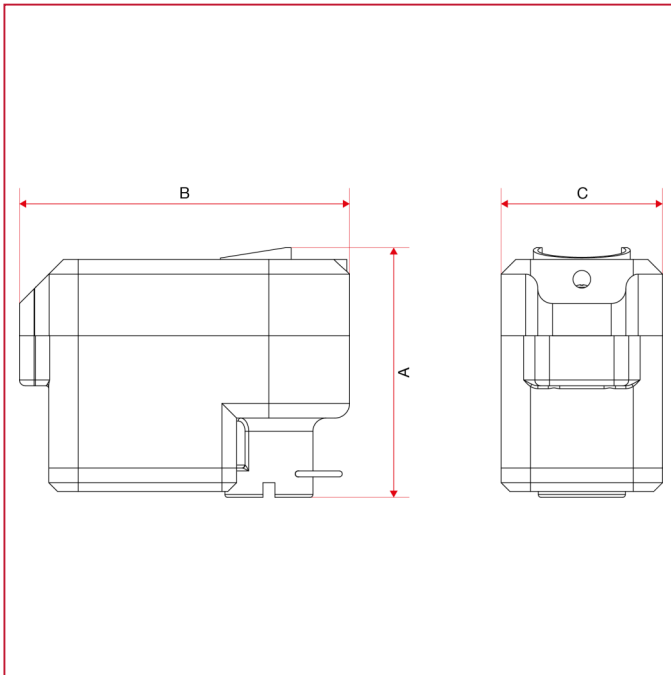




ACCESSORIES FOR SOLAR HEATING SYSTEMS

990 Electric actuator for zone ball valves

OVERALL DIMENSIONS



	230V x 25sec	230V x 50sec
A	85	85
B	112,5	112,5
C	55	55