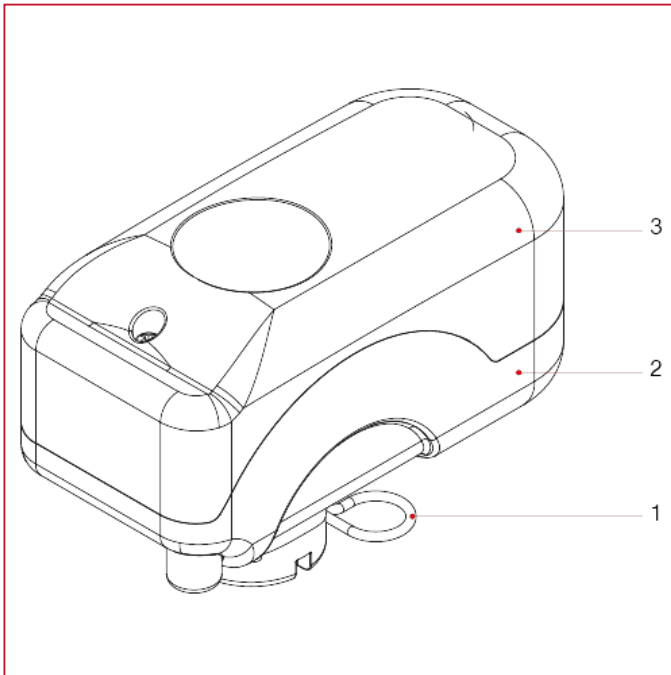




## ELECTRIC ACTUATORS AND ZONE BALL VALVES

### 989 Electric actuator for zone ball valves

#### MATERIALS



POS.	DESCRIPTION	N.	MATERIAL
1	Split pin	1	EN 10270-3
2	Base	1	Kelon®
3	Cover	1	Makrolon® 2207