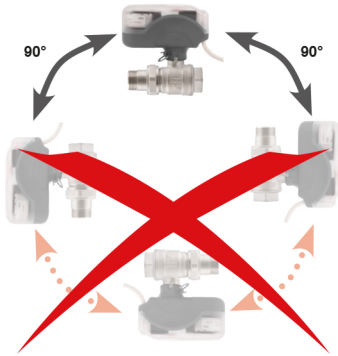




ELECTRIC ACTUATORS AND ZONE BALL VALVES

989 Electric actuator for zone ball valves

ACTUATOR MANUAL



NOT ALLOWED.

ELECTRICAL SAFETY NOTE:

- Check the connections before energizing the power supply.
- Local accident prevention regulations should be adhered when installing the actuator.
- The motor moves about slightly while it is working so it is important to use flexible leads for the electrical connections.

ATTENTION: opening the cover compromises the product guarantee.

OPERATING FEATURES:

Starting torque: 10Nm
Operating time: 90 sec
Power supply: 230V
Frequency: 50Hz+60Hz
Control signals: on-off
Angle working range: 90°
Degree of protection: IP 44
Ambient temp. Range: -20°C - 70°C
Working temperature: -5° - 50°C
Maintenance: Free
Standards: CE standard

ATTENTION. Please read these instruction carefully before installing the actuator and retain safety for reference.

INSTALLATION. Put the actuator on the valve paying attention that the valve is on the opening position, like the actuators standards, lock with the safety pin.

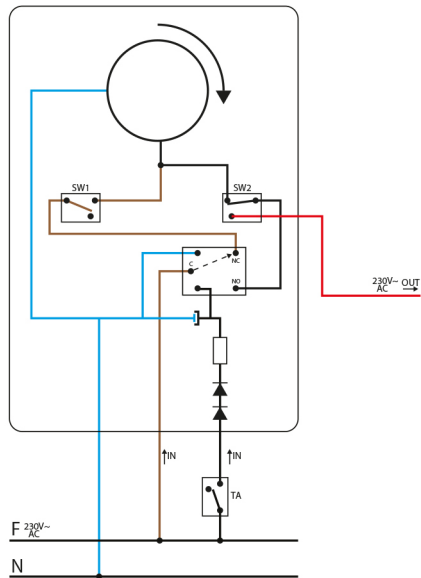
ELECTRICAL CONNECTIONS. Electrical connections are wired with a quadropole cable, the extremities are linked on the apposit terminal board, in the following way:

- Brown cable: phase
- Black cable linked to phase: open valve
- Black cable not linked to phase: close valve
- Blue cable: neutral
- Red cable: phase exit open valve



ELECTRIC ACTUATORS AND ZONE BALL VALVES

SCHEMA VALVOLA CHIUSA - STANDARD
CLOSED VALVE CHART - STANDARD



SCHEMA VALVOLA CHIUSA - CON CONTATORE
CLOSED VALVE CHART - WITH METER

