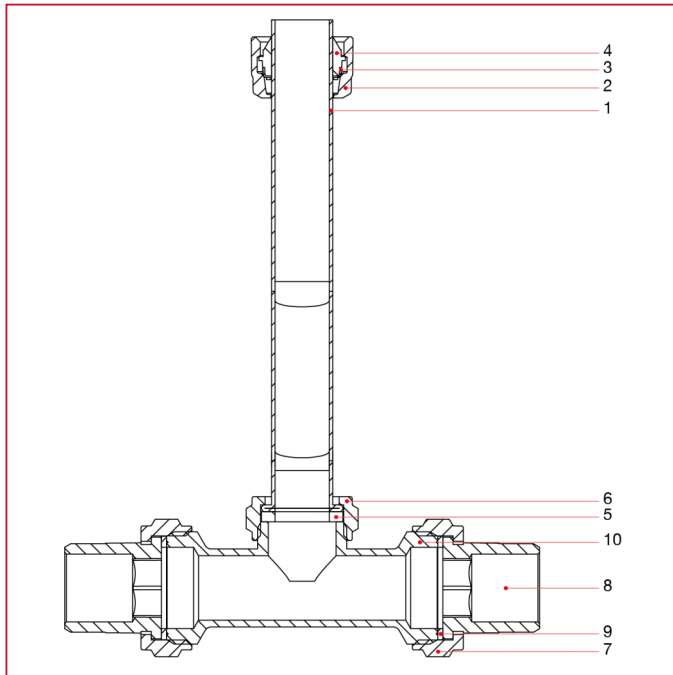




ELECTRIC ACTUATORS AND ZONE BALL VALVES

988 By-pass kit for zone ball valves

MATERIALS



POS.	DESCRIPTION	N.	MATERIAL
1	Pipe	1	Copper
2	Nut	1	Nickel-plated brass CW617N
3	Elastic ring	1	Stainless steel AISI 430
4	Washer	1	NBR
5	Washer	1	NBR
6	Nut	1	Nickel-plated brass CW617N
7	Nut	2	Nickel-plated brass CW617N
8	Flat seat union	2	Nickel-plated brass CW617N
9	Washer	2	Red fiber
10	Tee	1	Nickel-plated brass CW617N