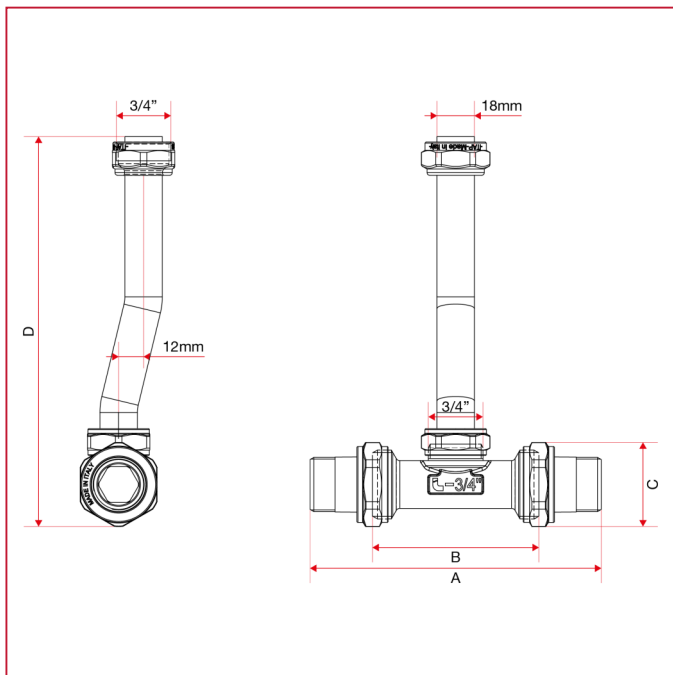




ELECTRIC ACTUATORS AND ZONE BALL VALVES

988 By-pass kit for zone ball valves

OVERALL DIMENSIONS



	3/4"	1"
DN	20	25
A	140	163
B	80	94
C	41	50
D	188	195
Kg/cm ² bar	10	10
LBS - psi	145	145