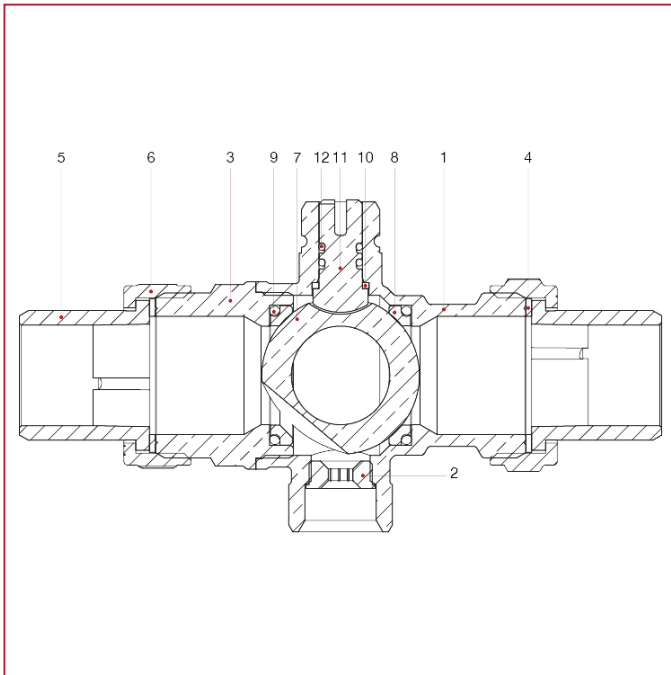




ELECTRIC ACTUATORS AND ZONE BALL VALVES

984 3-way zone ball valve

MATERIALS



POS.	DESCRIPTION	N.	MATERIAL
1	Body	1	Nickel-plated brass CW617N
2	Nozzle	1	Brass CW614N
3	End adapter	1	Nickel-plated brass CW617N
4	Washer	2	Red fiber
5	Flat seat union	2	Nickel-plated brass CW617N
6	Nut	2	Nickel-plated brass CW617N
7	Ball	1	Chrome-plated brass CW617N
8	Seat	2	P.T.F.E.
9	O-ring	2	EPDM
10	Ring	1	P.T.F.E.
11	Stem	1	Brass
12	O-ring	2	EPDM