



# ELECTRIC ACTUATORS AND ZONE BALL VALVES

## 984 3-way zone ball valve

### INSTRUCTIONS

#### ACTUATOR INSTALLATION:

- 1) Line up the manoeuvre stem in the position of the servo-control manoeuvre joint.
- 2) insert the servo-control pushing it in the indicating direction.
- 3) insert the split pin in the hole.
- 4) make sure that the servo-control is correctly assembled.

The servo-control must be installed with the valves completely open.

The servo-controls are supplied in the "open" position and can be installed on all the series of ITAP zone valves.

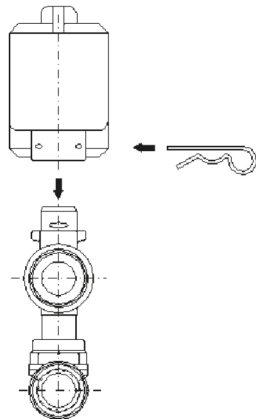


FIG. 2.1

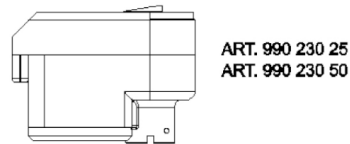


FIG. 2.2

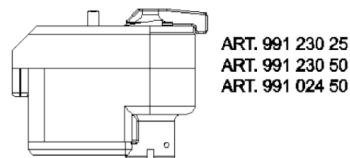


FIG. 2.3

#### 3-way zone bypass Valves:

The 3-way bypass zone valve performs the same interception and balancing function as the art. 986 valve but can be used in thermal control units and on linear manifolds. In particular, with the use of the kit, art. 988, it can be used in the ITAP metal boxes art. 498. The assembly instructions for the valve unit motor are similar for those indicated for art. 986.

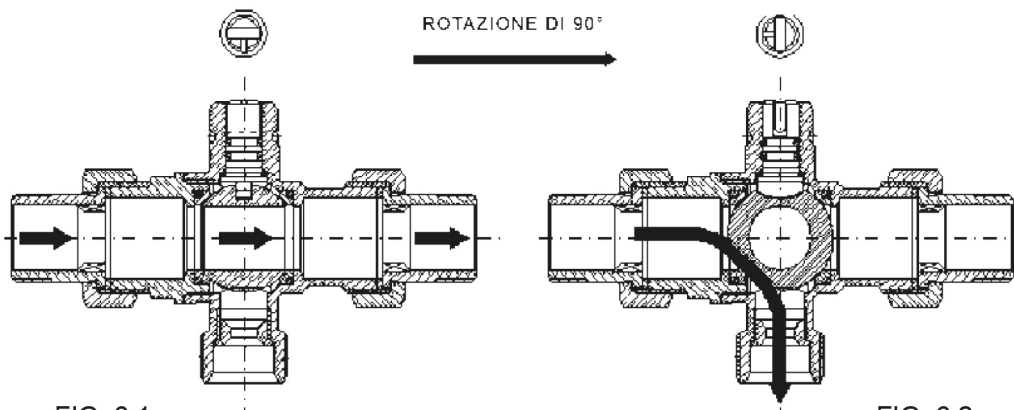
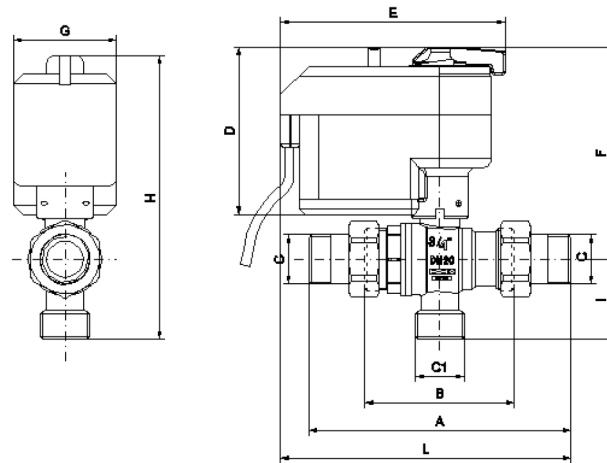


FIG. 6.1

FIG. 6.2



# ELECTRIC ACTUATORS AND ZONE BALL VALVES



	A	B	C	C1	D	E	F	G	H	I	L	PRESSURE kg/cm <sup>2</sup> - bar	LBS WORKING PRESSURE
3/4"	140	80	3/4"	3/4"	92	120	114	55	157	43	155	16	230
1"	163	94	1"	3/4"	92	120	118	55	158	39.75	166.5	16	230

## WARNING:

The servo control must never be mounted facing downwards.

When installing in metal boxes it is necessary to leave enough space above the servo control for the unblocking device manoeuvres and for eventual maintenances or replacements.

To limit the overall dimensions, position the interception valves as illustrated in fig. 7.2,7.3

To install art 986 in boxes it is necessary to correctly line up the pipes with the coplanar manifold to avoid excessive stress between the servo motor and the valve unit.

FIG. 7.1

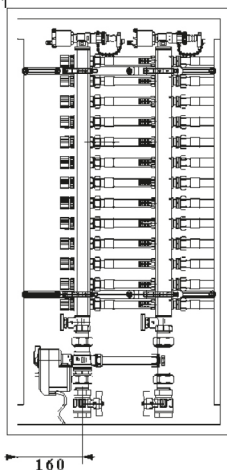


FIG. 7.2

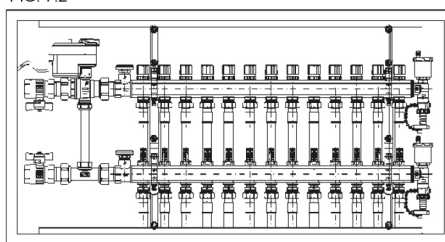


FIG. 7.3

