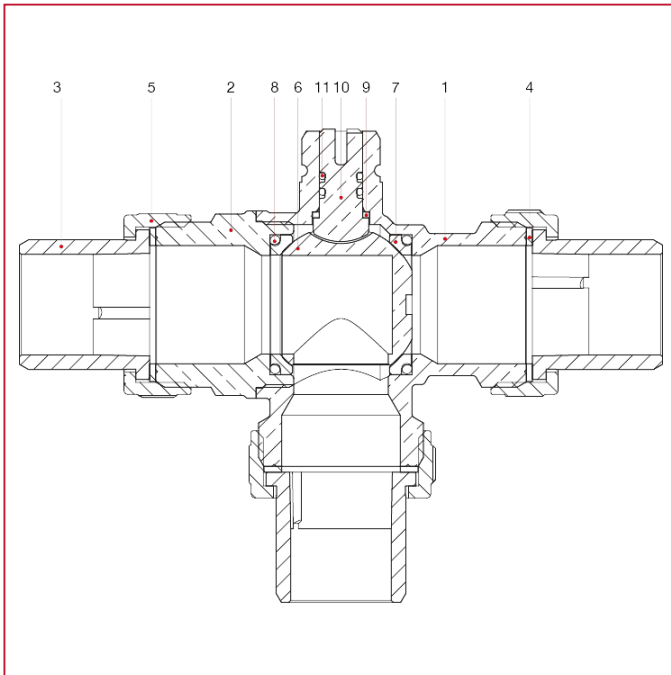




ACCESSORIES FOR SOLAR HEATING SYSTEMS

982 3-way diverter zone ball valve

MATERIALS



POS.	DESCRIPTION	N.	MATERIAL
1	Body	1	Nickel-plated brass CW617N
2	End adapter	1	Nickel-plated brass CW617N
3	Flat seat union	3	Nickel-plated brass CW617N
4	Washer	3	Red fiber
5	Nut	3	Nickel-plated brass CW617N
6	Ball	1	Chrome-plated brass CW617N
7	Seat	2	P.T.F.E.
8	O-ring	2	EPDM
9	Ring	1	P.T.F.E.
10	Stem	1	Brass
11	O-ring	2	EPDM