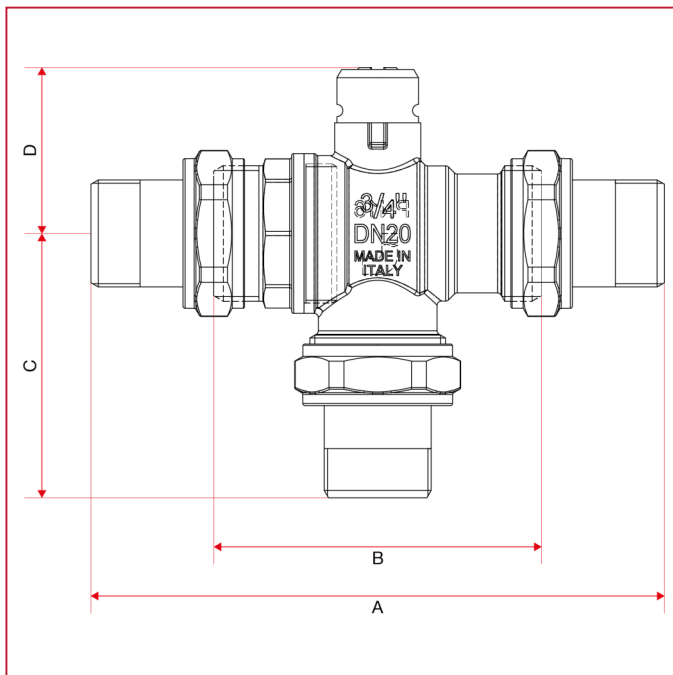




## ACCESSORIES FOR SOLAR HEATING SYSTEMS

### 982 3-way diverter zone ball valve

#### OVERALL DIMENSIONS



	3/4"	1"
DN	20	25
A	140	163
B	80	94
C	64,5	75,5
D	40,5	44,5
Kg/cm <sup>2</sup> bar	16	16
LBS - psi	232	232