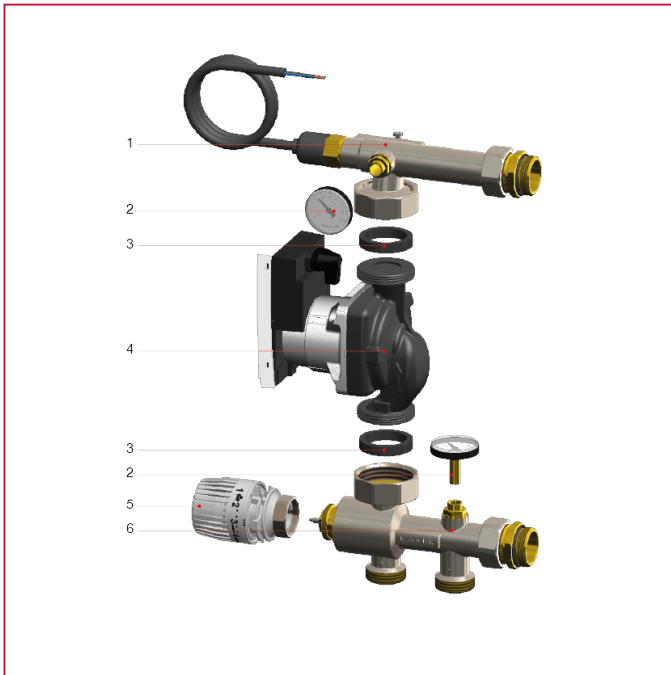




SET POINT REGULATING UNIT

949 Set point regulating unit

MATERIALS



POS.	DESCRIPTION	N.	MATERIAL
1	1" DN20 flow body	1	Nickel-plated brass
2	Thermometer 40mm 9x27 0-80°C	2	-
3	GP EPDM 44x34x08	2	EPDM
4	Variable speed circulator	1	-
5	Thermostatic head 20-70°C	1	-
6	Set point regulating unit body 1" DN20	1	Nickel-plated brass