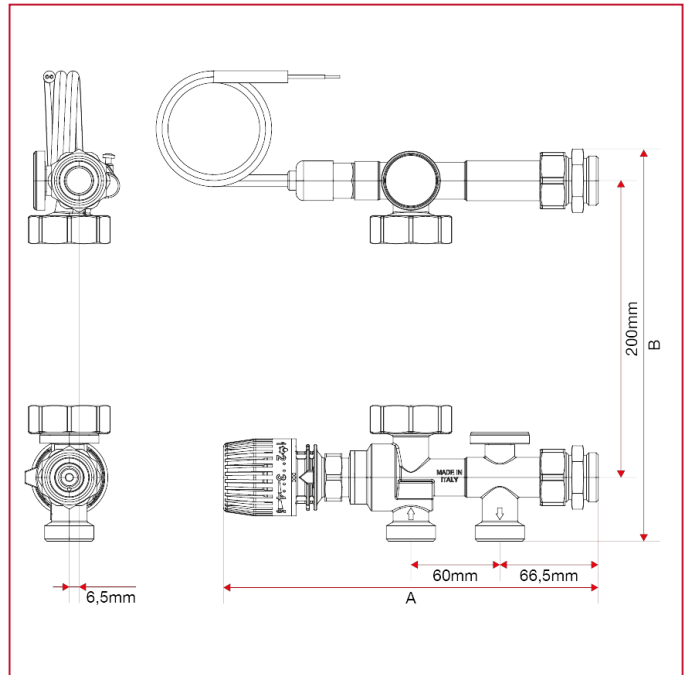
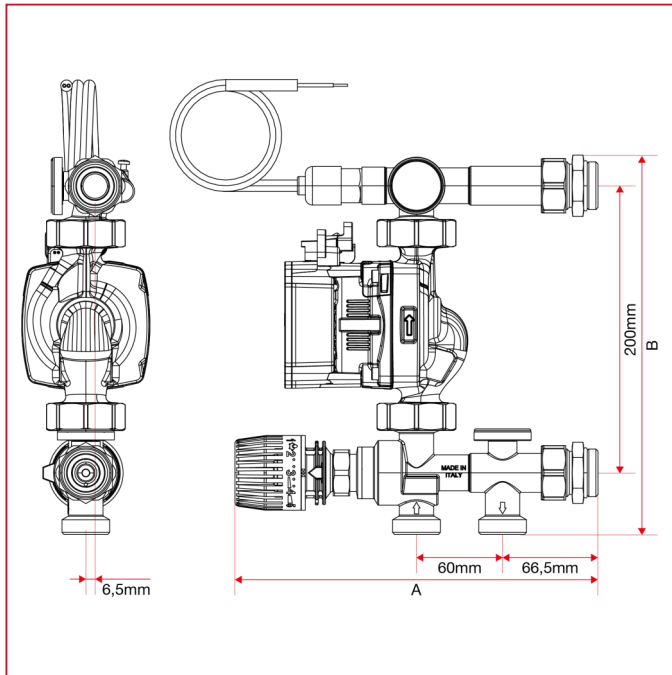




SET POINT REGULATING UNIT

949 Set point regulating unit

OVERALL DIMENSIONS



	1"	1"
A	253	253
B	264	264
Kg/cm ² bar	6	6
LBS - psi	87	87