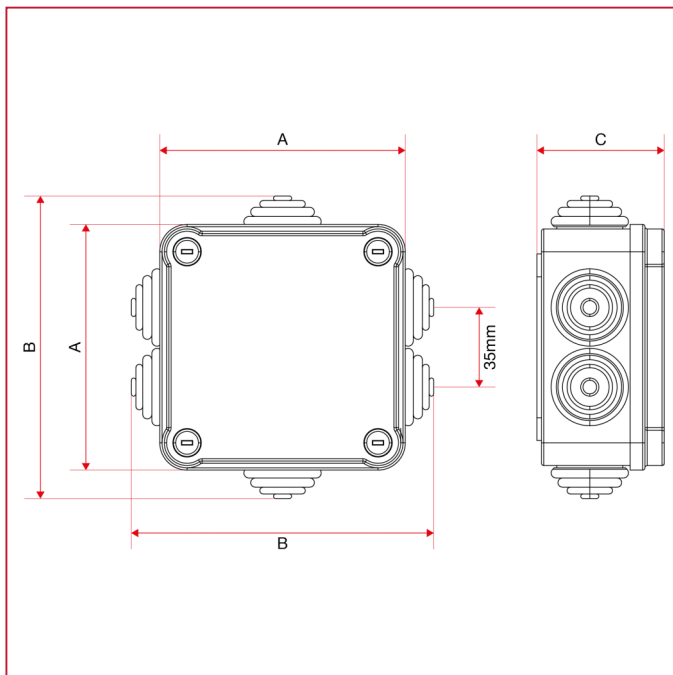




# SET POINT REGULATING UNIT

**949CEF** Wiring case for pump connection

## OVERALL DIMENSIONS



A	108
B	133
C	56