

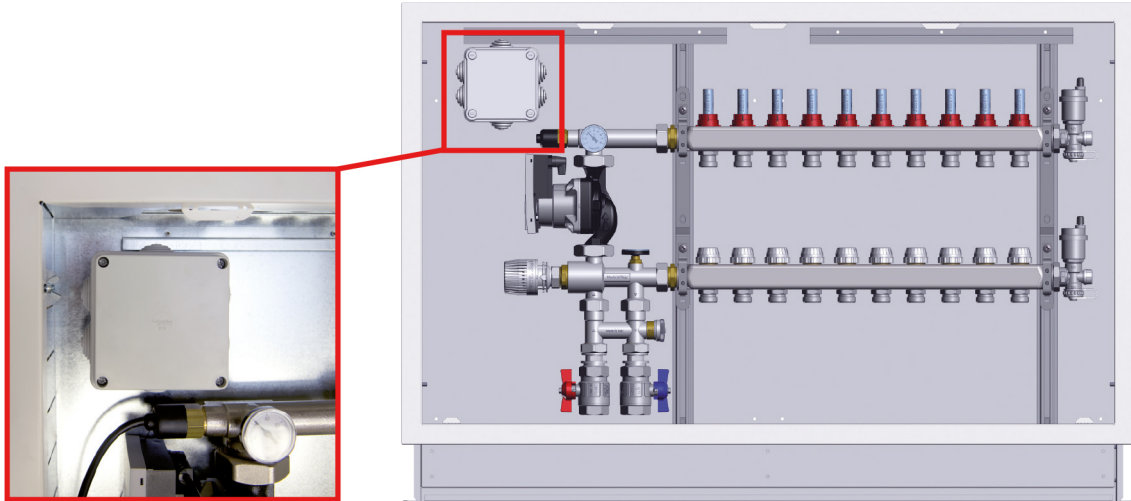


# SET POINT REGULATING UNIT

## 949CEF Wiring case for pump connection

### INSTRUCTIONS

The electrical wiring case has all the contacts required for the unit to operate, such as the boiler enable signal and connection to one or more ON-OFF room thermostats.

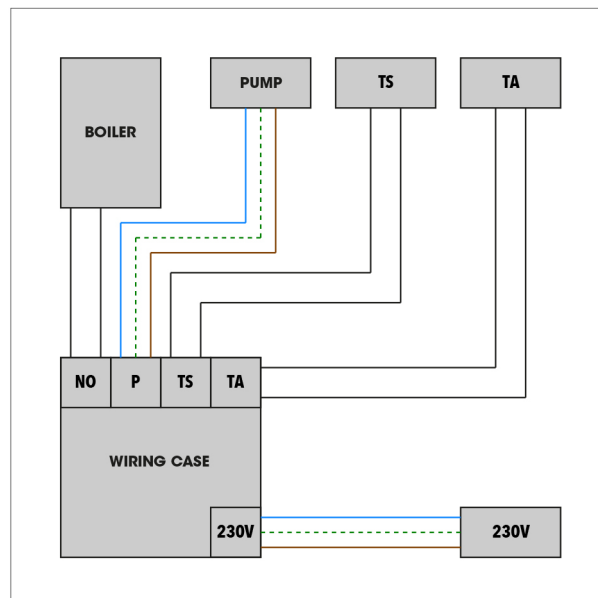


The wiring case has all the connections required for the regulation unit: boiler enable signal (NO), room thermostat (TA), safety thermostat (TS) and pump power (POMPA). It has to be powered at 230V.

### INSTALLATION:

#### - EXAMPLE OF SINGLE-ZONE INSTALLATION

For single-zone systems, simply wire the components to the wiring case - no other cabling is required. When the room thermostat's ON-OFF contact closes (i.e. the room temperature is below the setpoint) it sends the enable signal to the boiler (NO contact) thus turning on the mixing unit circulation pump.



#### - EXAMPLE OF MULTI-ZONE INSTALLATION

Multi-zone systems require the use of thermo-electric actuators with auxiliary micro-switch (not included) and a room thermostat for each zone. The room thermostat's ON-OFF contact must be connected to the power cable wires (blue and brown) of each thermo-electric actuator, while the auxiliary micro-switch wires of all actuators in all zones must be connected to the TA contact. This means that the room thermostat contact will open the actuators connected to it which, once they are completely open, send



# SET POINT REGULATING UNIT

the enable signal to the boiler and to the mixing unit's circulation pump.

