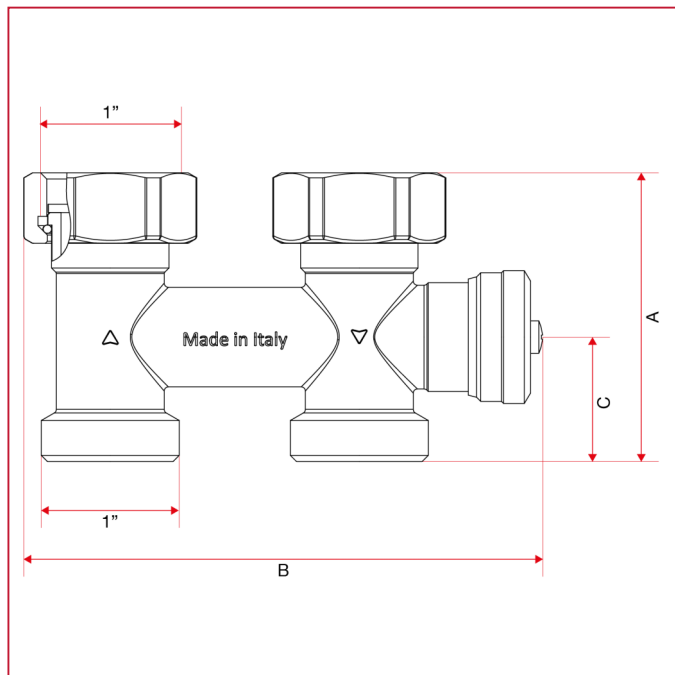




# SET POINT REGULATING UNIT

## 949BY Primary circuit by-pass kit

### OVERALL DIMENSIONS



	1"
A	69,6
B	125
C	30
Kg/cm <sup>2</sup> bar	6
LBS - psi	87