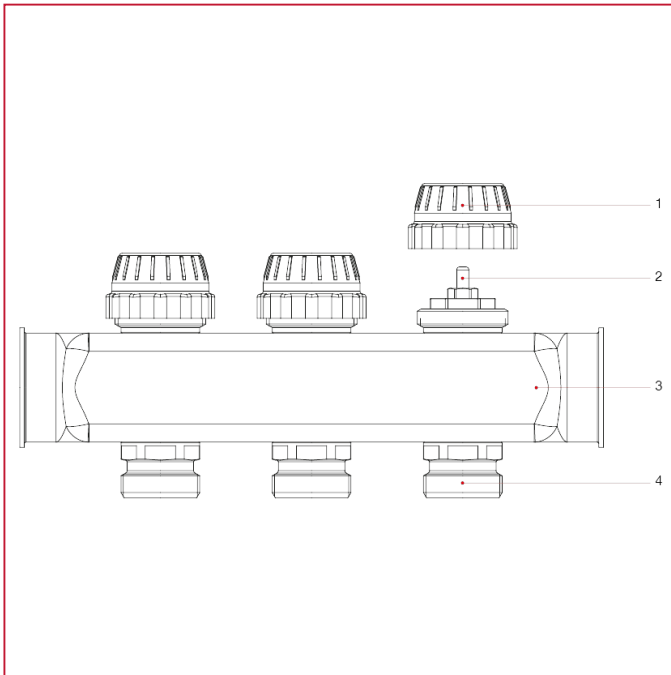




PRE-ASSEMBLED STAINLESS STEEL MANIFOLDS

942 Single manifold with shut-off valves preset for electrothermal actuators - with caps

MATERIALS



POS.	DESCRIPTION	N.	MATERIAL
1	Cap	2-13	ABS
2	Bonnet	2-13	Brass CW614N
3	Manifold in stainless steel	1	Stainless steel AISI 304L
4	Male/male adapter	2-13	Nickel-plated brass CW614N