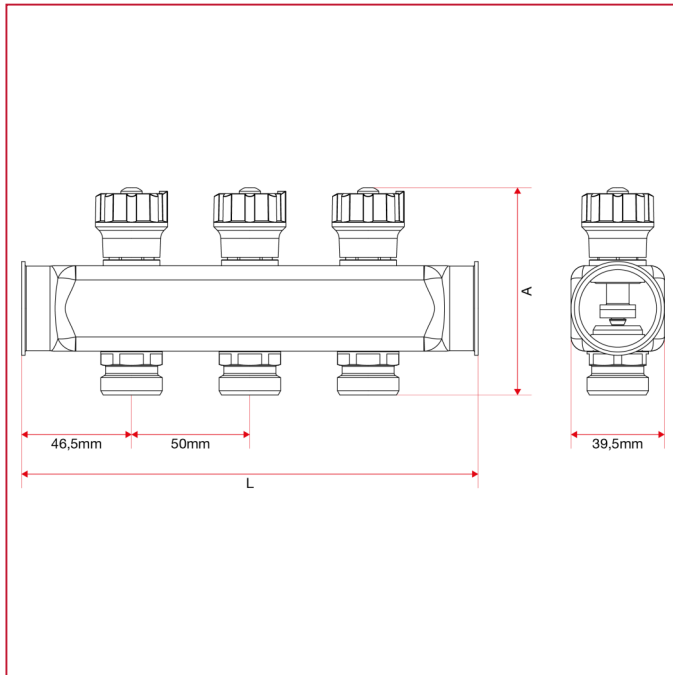




PRE-ASSEMBLED STAINLESS STEEL MANIFOLDS

937M Single manifold, with manual shut-off valves with handles

OVERALL DIMENSIONS



	1"x3/4"x 2	1"x3/4"x 3	1"x3/4"x 4	1"x3/4"x 5	1"x3/4"x 6	1"x3/4"x 7	1"x3/4"x 8
A	87,4	87,4	87,4	87,4	87,4	87,4	87,4
L	143	193	243	293	343	393	443
Kg/cm ² bar	10	10	10	10	10	10	10
LBS - psi	145	145	145	145	145	145	145