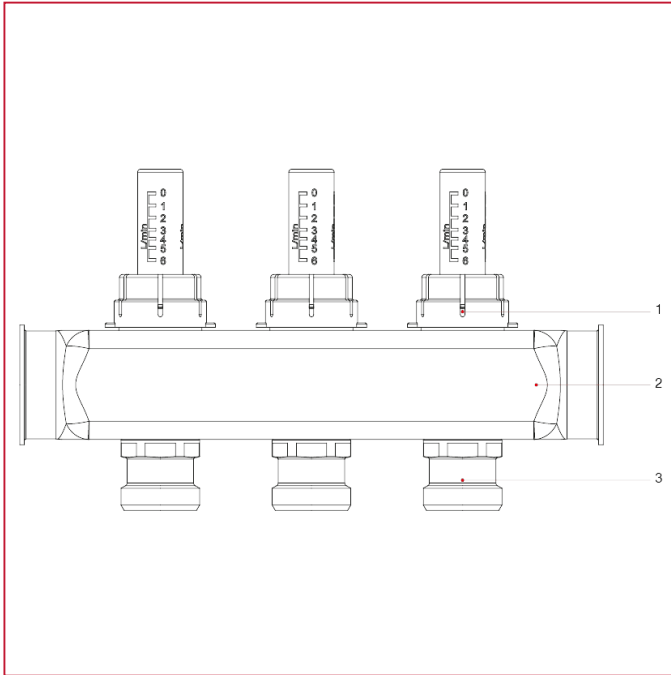




PRE-ASSEMBLED STAINLESS STEEL MANIFOLDS

932 Single manifold with flow meters

MATERIALS



POS.	DESCRIPTION	N.	MATERIAL
1	Flowmeter	2-13	Brass CW614N
2	Manifold in stainless steel	1	Stainless steel AISI 304 L
3	Adapter for flow meters	2-13	Nickel-plated brass CW614N