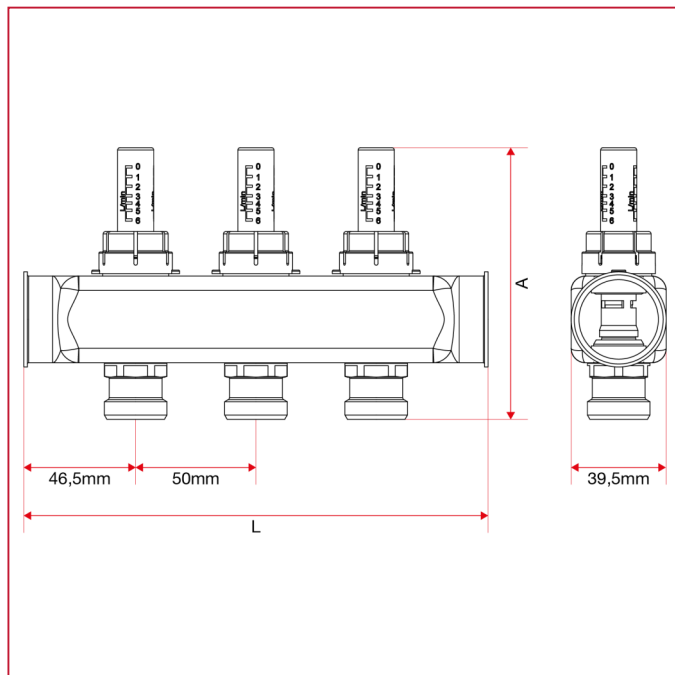




## COLLETTORI PREMONTATI IN ACCIAIO INOX

### 932 Collettore singolo con flussimetri

#### INGOMBRI



|                        | 1"x3/4"x<br>2 | 1"x3/4"x<br>3 | 1"x3/4"x<br>4 | 1"x3/4"x<br>5 | 1"x3/4"x<br>6 | 1"x3/4"x<br>7 | 1"x3/4"x<br>8 | 1"x3/4"x<br>9 | 1"x3/4"x<br>10 | 1"x3/4"x<br>11 | 1"x3/4"x<br>12 | 1"x3/4"x<br>13 |
|------------------------|---------------|---------------|---------------|---------------|---------------|---------------|---------------|---------------|----------------|----------------|----------------|----------------|
| A                      | 113           | 113           | 113           | 113           | 113           | 113           | 113           | 113           | 113            | 113            | 113            | 113            |
| L                      | 143           | 193           | 243           | 293           | 343           | 393           | 443           | 493           | 543            | 593            | 643            | 693            |
| Kg/cm <sup>2</sup> bar | 6             | 6             | 6             | 6             | 6             | 6             | 6             | 6             | 6              | 6              | 6              | 6              |
| LBS - psi              | 87            | 87            | 87            | 87            | 87            | 87            | 87            | 87            | 87             | 87             | 87             | 87             |