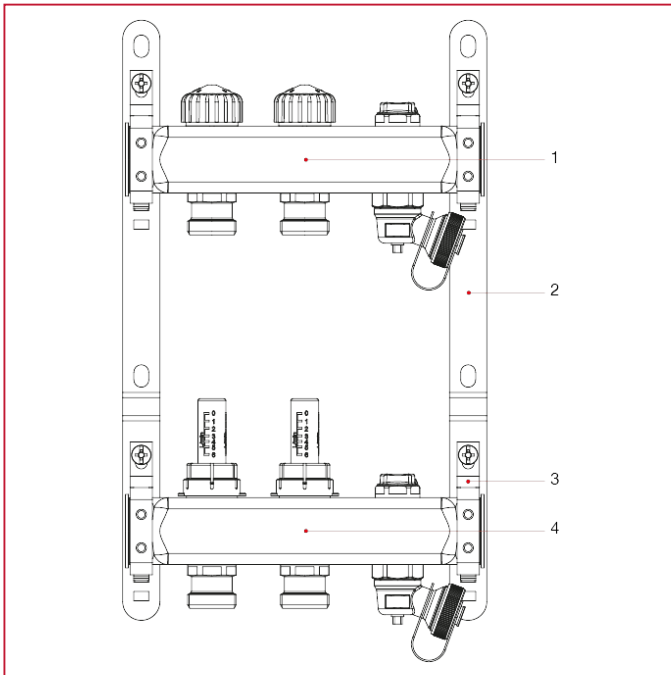




## PRE-ASSEMBLED STAINLESS STEEL MANIFOLDS

**917CDEB** Pre-assembled manifold with flow meters, air vent valve and drain cock – Automatic flow control

### MATERIALS



POS.	DESCRIPTION	N.	MATERIAL
1	Single manifold in stainless steel with balancing control spindle	1	Stainless steel AISI 304L
2	Mounted bracket in steel	2	Steel P11
3	Mounted collar	4	Steel P11
4	Single manifold in stainless steel with flow meters	1	Stainless steel AISI 304L