



# PRE-ASSEMBLED STAINLESS STEEL MANIFOLDS

## 917CDEB Pre-assembled manifold with flow meters, air vent valve and drain cock – Automatic flow control

### INSTRUCTIONS ON INSTALLATION, USE AND MAINTENANCE

Technical specifications:

Available sizes: 1"

Maximum operating pressure with installed flow meters: 6 bar (10 bar for installation test)

Maximum operating pressure with installed lockshields: 10 bar

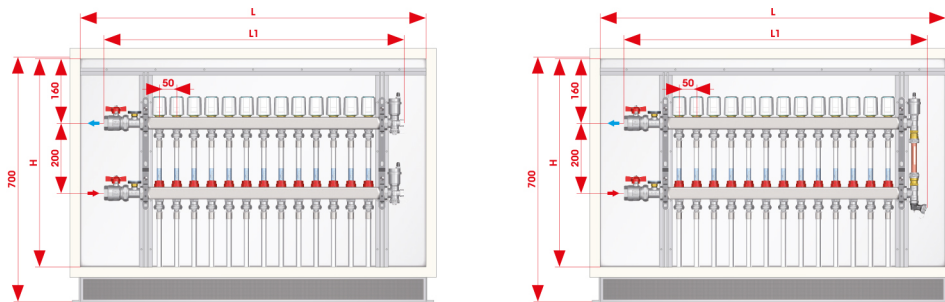
Maximum working temperature: 70°C (with flow meters), 80°C (with lockshields).

Threads: ISO 228 (equivalent to DIN EN ISO 228 and BS EN ISO 228).

Outlets: from 3 to 13, 3/4" Eurokonus.

Outlet centre distance: mm.50

### POSITIONING THE STAINLESS STEEL MANIFOLDS INTO METAL BOXES

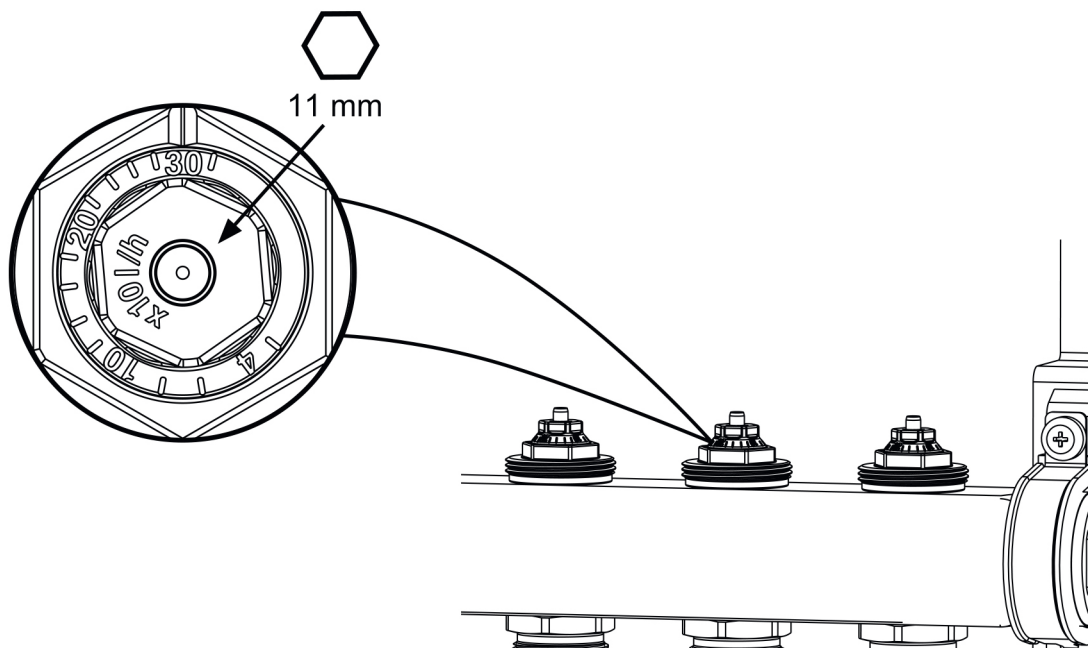


CODICE / CODE / CODE / CÓDIGO / TEILENUMMER / КОД	498.500.600	498.600.600	498.700.600	498.800.600	498.1000.600
L x H (mm)	500x600	600x600	700x600	800x600	1000x600
N° vie / outlet / voies / vías / Wege / ходов	3-4	5-6	7-8	9-10	11-12-13
COLLETTORE / MANIFOLD / COLLECTEUR / COLECTOR / VERTEILER / КОЛЛЕКТОР	1"				
L1	386	486	586	686	836

### HOW TO ADJUST THE FLOW RATE

Return manifold supplied with thermostatic insert DYNACON ECLIPSE.

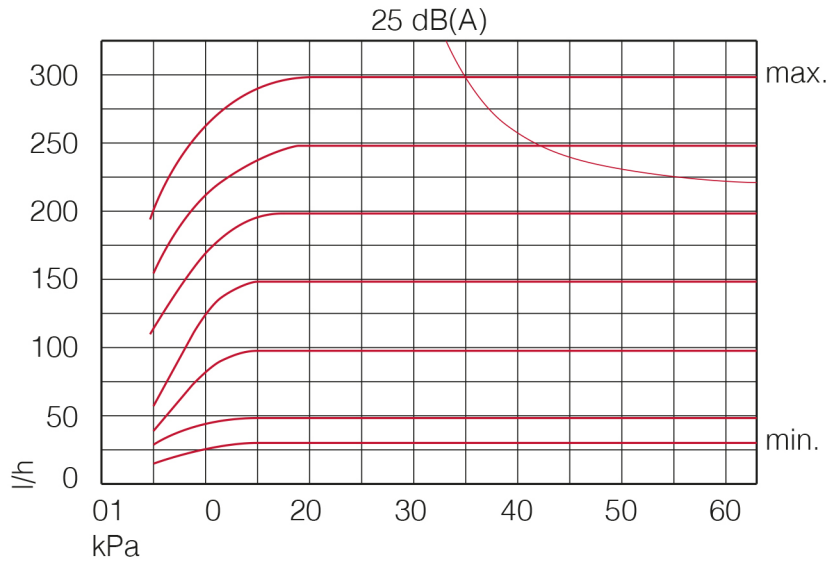
Copyright ©IMI Hydronic Engineering International SA. All rights reserved.



### SETTING TURNS AND FLOW RATE DIAGRAM



## PRE-ASSEMBLED STAINLESS STEEL MANIFOLDS

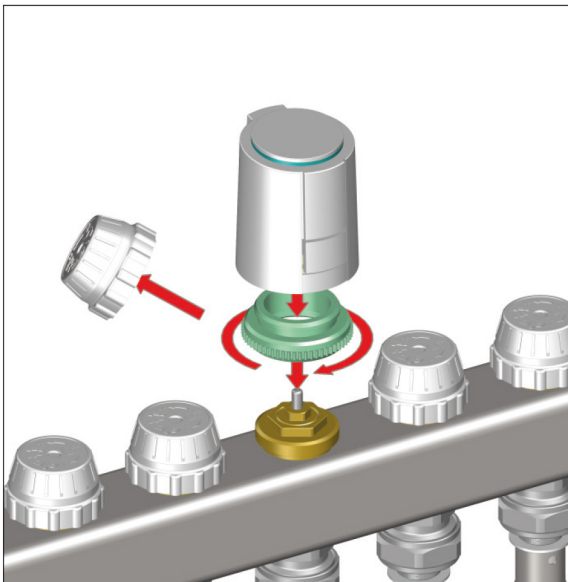


DYNACON ECLIPSE		4			10					20					30
l/h	30	40	60	80	100	120	140	160	180	200	220	240	260	280	300

### TECHNICAL NOTE

the flowmeter is not to be used as a balancing valve, but just to read the required flow rate of each individual circuit directly and precisely.

### INSTALLATION OF ELECTROTHERMAL ACTUATOR



Electrothermal actuator:

- Normally closed, on-off operation.
- Power supply: 230V.
- Power consumption: 1W.
- Minimum and maximum working ambient temperatures: 0°C, 60°C.

- Maximum differential pressure: 1,5bar.
- Length of the power supply cable: m.1.



## PRE-ASSEMBLED STAINLESS STEEL MANIFOLDS

---

- Class of protection IP54.
- Available with 2 cables or 4 cables with an auxiliary microswitch.
- Capacity of the auxiliary connection: 300mA.
- CE marked.