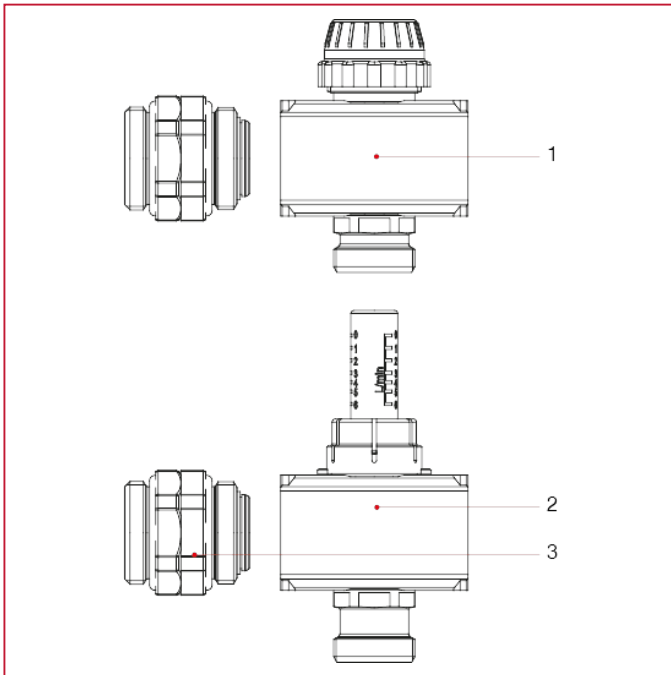




ACCESSORIES FOR MANIFOLDS

915CK Extension kit for manifolds

MATERIALS



POS.	DESCRIPTION	N.	MATERIAL
1	Single manifold with shut-off valves	1	Nickel-plated brass CW603N M-S
2	Single manifold with flow-meter	1	Nickel-plated brass CW603N M-S
3	Swivelling nipple	2	Nickel-plated brass CW617N