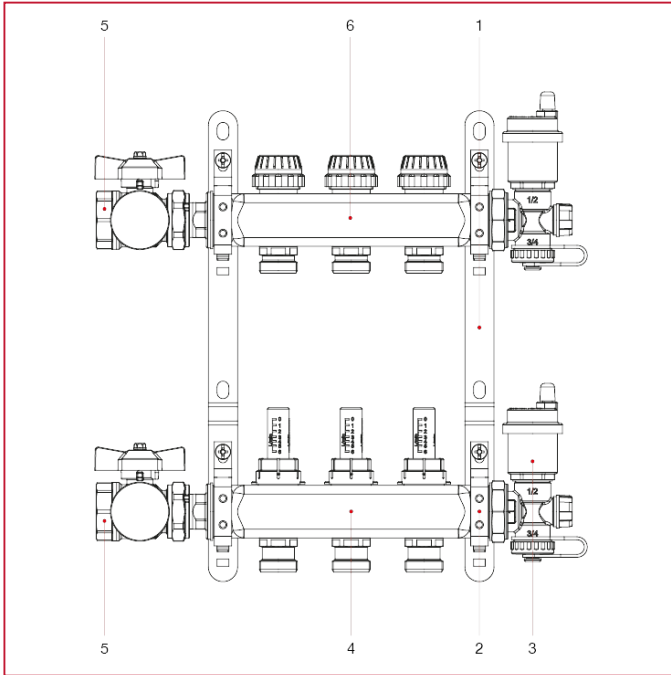




PRE-ASSEMBLED STAINLESS STEEL MANIFOLDS

907C Complete pre-assembled manifold, with flow meters

MATERIALS



POS.	DESCRIPTION	N.	MATERIAL
1	Mounted bracket in steel	2	Steel P11
2	Mounted collar	4	Steel P11
3	Automatic air vent group	2	Nickel-plated brass CW617N
4	Single manifold in stainless steel with flow meters	1	Stainless steel AISI 304L
5	IDEAL ball valve kit for manifolds	1	Nickel-plated brass CW617N
6	Single manifold in stainless steel with shut-off valves	1	Stainless steel AISI 304L