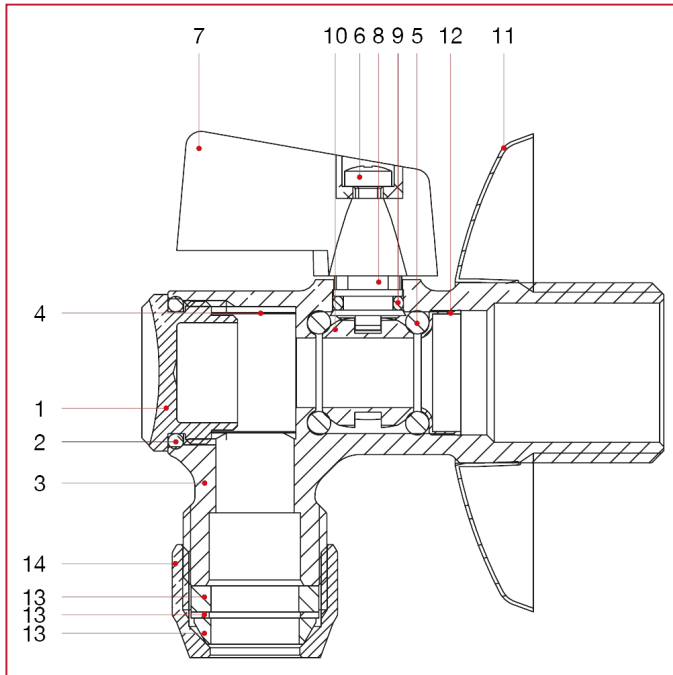




BUILD-IN VALVES AND SUPPLY STOPS

906 Ball supply stop with strainer

MATERIALS



POS.	DESCRIPTION	N.	MATERIAL
1	Cap	1	Chrome-plated brass CW617N
2	O-ring	1	NBR
3	Body	1	Chrome-plated brass CW617N
4	Strainer	1	Stainless steel AISI 304
5	O-ring	2	NBR
6	Screw	1	Zinc-plated steel
7	Handle	1	Zama
8	Stem	1	Brass CW617N
9	O-ring	1	NBR
10	Ball	1	Chrome-plated brass CW617N
11	Cover-plate	1	Stainless steel AISI 430
12	Pressure ring	1	Brass CW508L
13	Olive	1	-
14	Nut	1	Chrome-plated brass CW617N