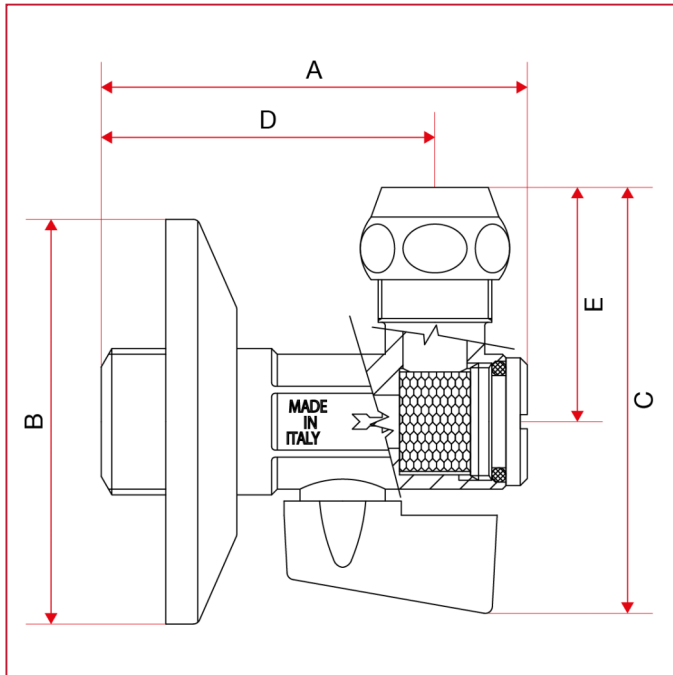




BUILD-IN VALVES AND SUPPLY STOPS

906 Ball supply stop with strainer

OVERALL DIMENSIONS



	1/2"
A	60
B	55
C	60,5
D	47
E	32,8
Kg/cm ² bar	8
LBS - psi	116