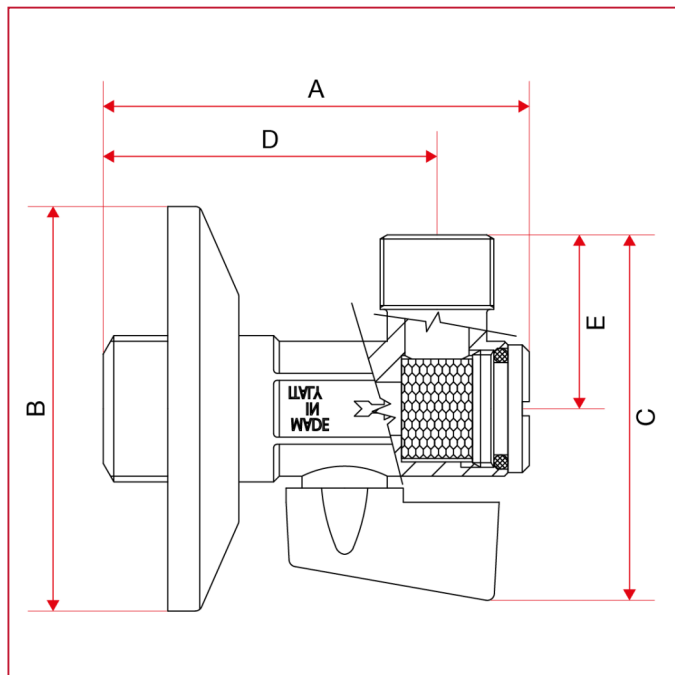




BUILD-IN VALVES AND SUPPLY STOPS

906SD Ball supply stop with strainer without nut

OVERALL DIMENSIONS



	1/2"
A	60
B	55
C	60,5
D	47
E	32,8
LBS - psi	116