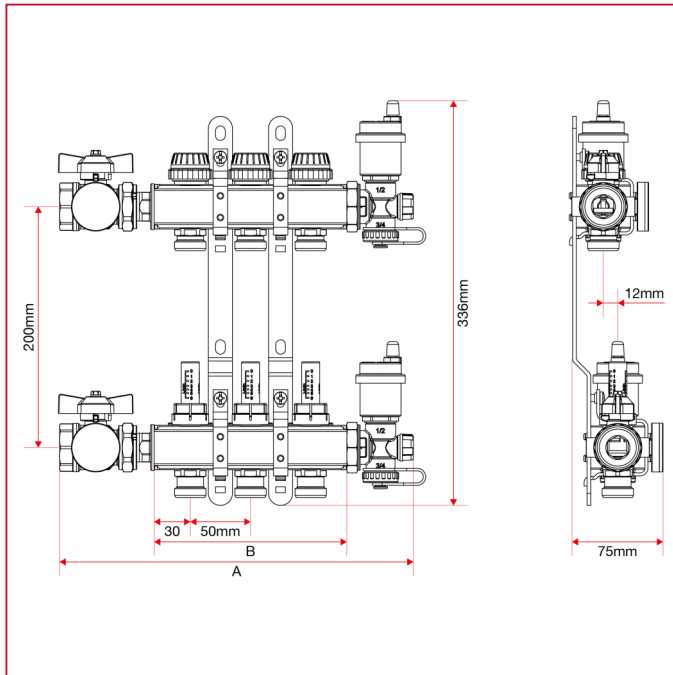




PRE-ASSEMBLED NICKEL-PLATED BRASS MANIFOLDS

905C Complete pre-assembled manifold, with flow meters

OVERALL DIMENSIONS



	1"x3/4"x 2	1"x3/4"x 3	1"x3/4"x 4	1"x3/4"x 5	1"x3/4"x 6	1"x3/4"x 7	1"x3/4"x 8	1"x3/4"x 9	1"x3/4"x 10	1"x3/4"x 11	1"x3/4"x 12	1"x3/4"x 13
A	244	294	344	394	444	494	544	594	644	694	744	794
B	110	160	210	260	310	360	410	460	510	560	610	660
Kg/cm² bar	6	6	6	6	6	6	6	6	6	6	6	6
LBS - psi	87	87	87	87	87	87	87	87	87	87	87	87