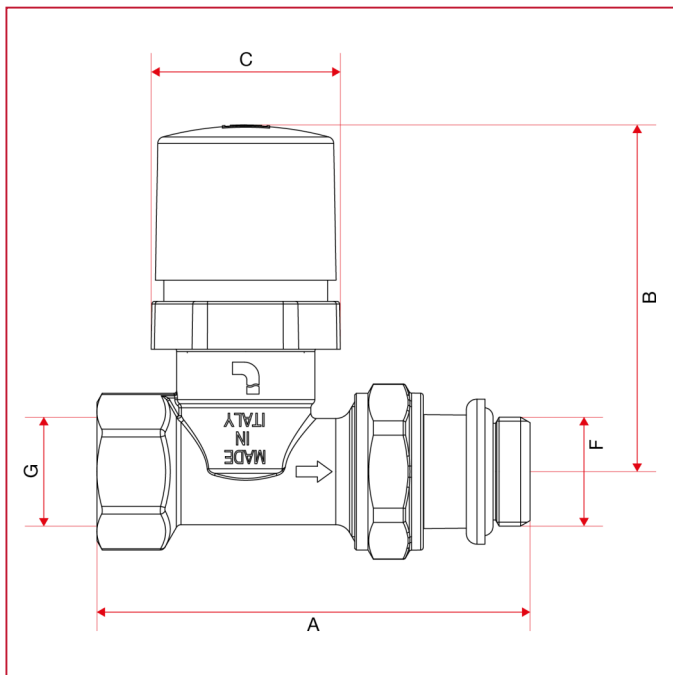




# CONVERTIBLE VALVES AND LOCKSHIELDS

## 894V Straight convertible valve with handle, female thread

### OVERALL DIMENSIONS



	3/8"	1/2"
DN	10	15
A	75,5	81,5
B	65,3	65,3
C	35,6	35,6
F	3/8"	1/2"
G	3/8"	1/2"
Kg/cm <sup>2</sup> bar	10	10
LBS - psi	145	145