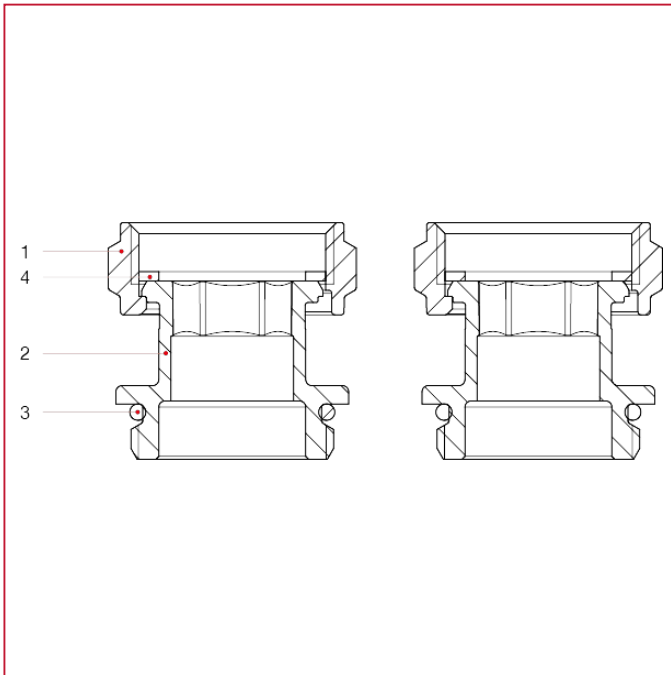




SET POINT REGULATING UNIT

894K Pair of union connections, flat seat

MATERIALS



POS.	DESCRIPTION	N.	MATERIAL
1	Nut	2	Nickel-plated brass CW617N
2	Union	2	Nickel-plated brass CW617N
3	O-ring	2	EPDM
4	Washer	2	FASIT OMNIA