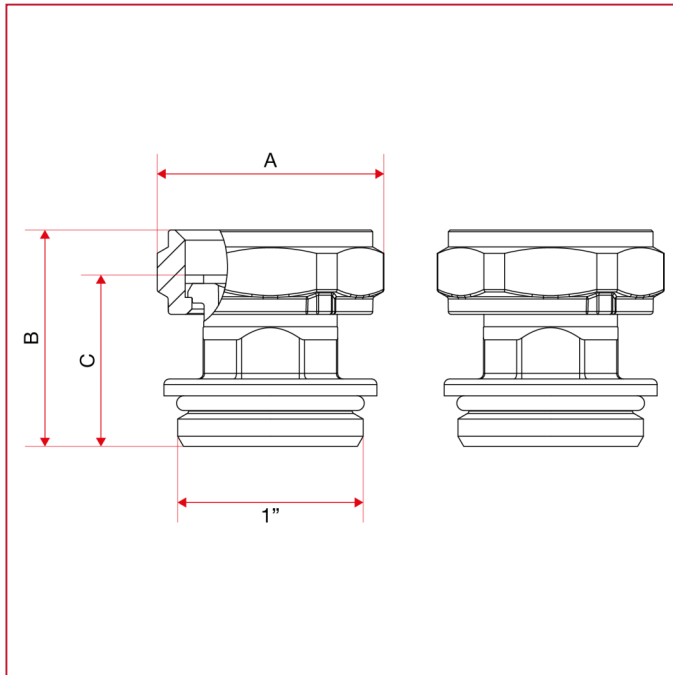




# SET POINT REGULATING UNIT

**894K** Pair of union connections, flat seat

## OVERALL DIMENSIONS



	1"
A	40,5
B	38,5
C	30,5
Kg/cm <sup>2</sup> bar	10
LBS - psi	145