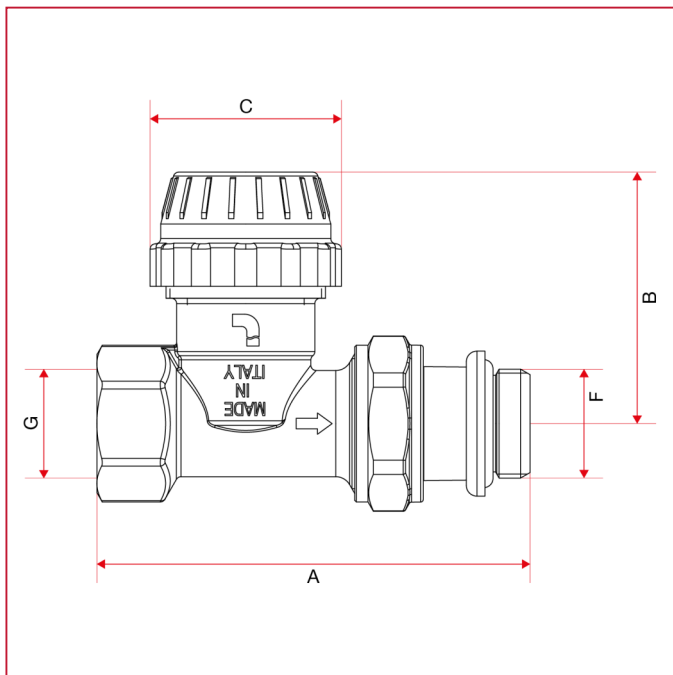




CONVERTIBLE VALVES AND LOCKSHIELDS

894C Straight convertible valve with cap, female thread

OVERALL DIMENSIONS



	3/8"	1/2"
DN	10	15
A	75,5	81,5
B	47,3	47,3
C	36	36
F	3/8"	1/2"
G	3/8"	1/2"
Kg/cm ² bar	10	10
LBS - psi	145	145