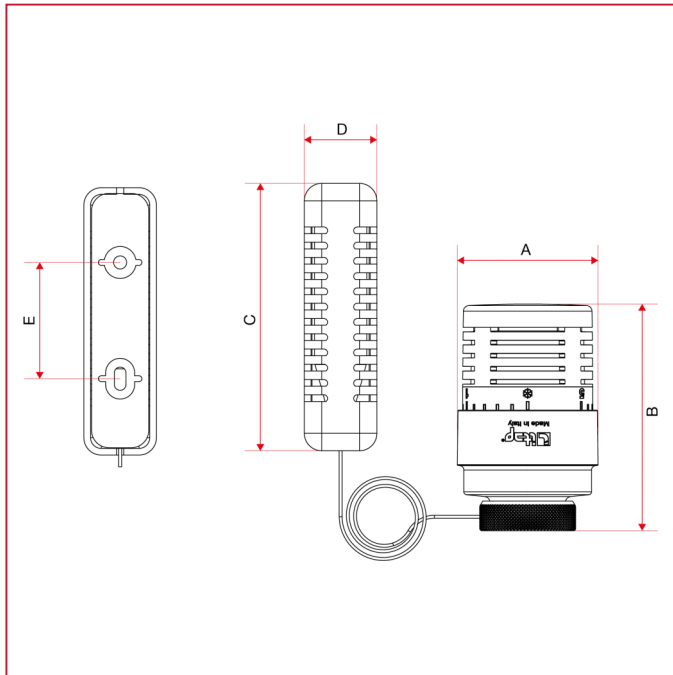




THERMOSTATIC CONTROL HEADS

891SD Thermostatic control head with remote sensor

OVERALL DIMENSIONS



A	48,5
B	78
C	92
D	25
E	40