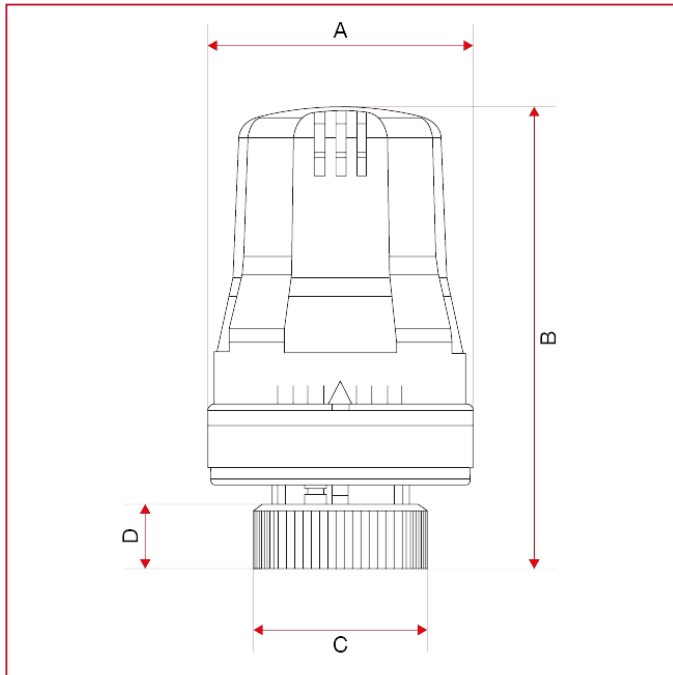




THERMOSTATIC CONTROL HEADS

891R Thermostatic control head with oil-filled element

OVERALL DIMENSIONS



A	50
B	82,5
C	33
D	12