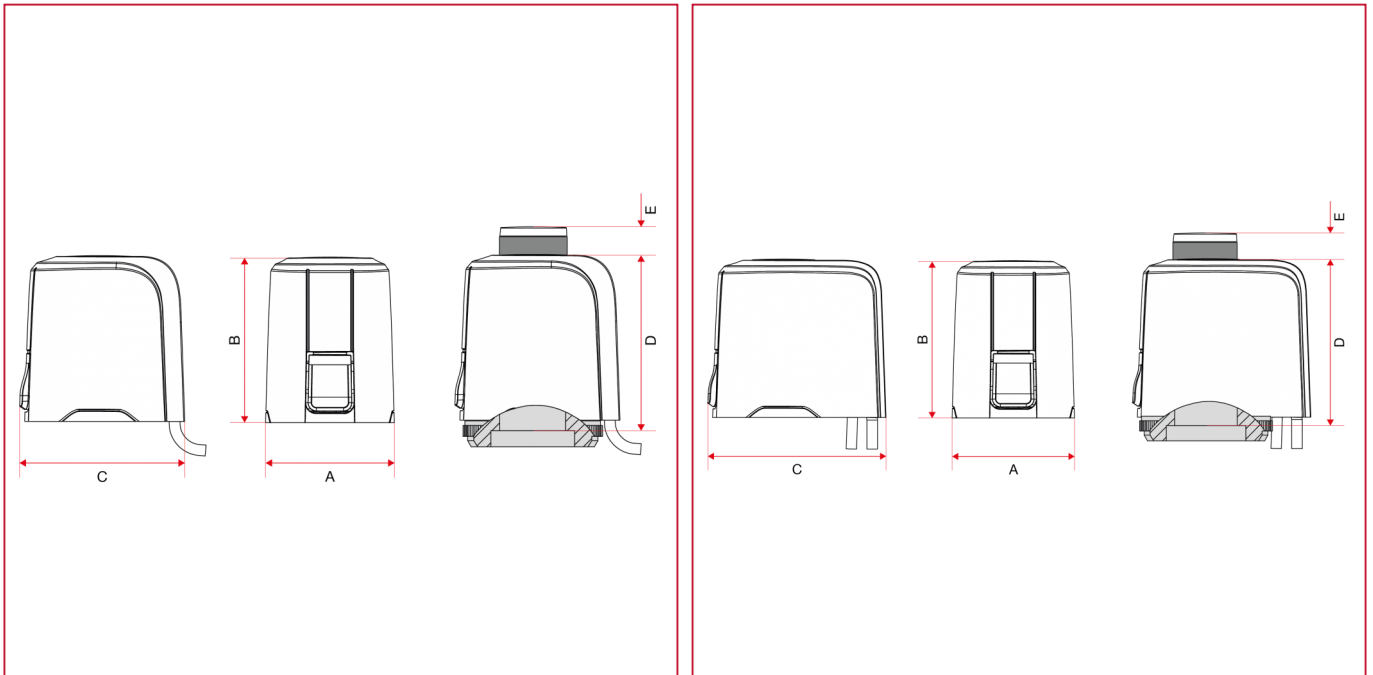




ACCESSORIES FOR MANIFOLDS

891M Electrothermal actuator

OVERALL DIMENSIONS



	230-2fili	230-4fili
A	39	39
B	50	50
C	50	57,2
D	53	53
E	+8	+8