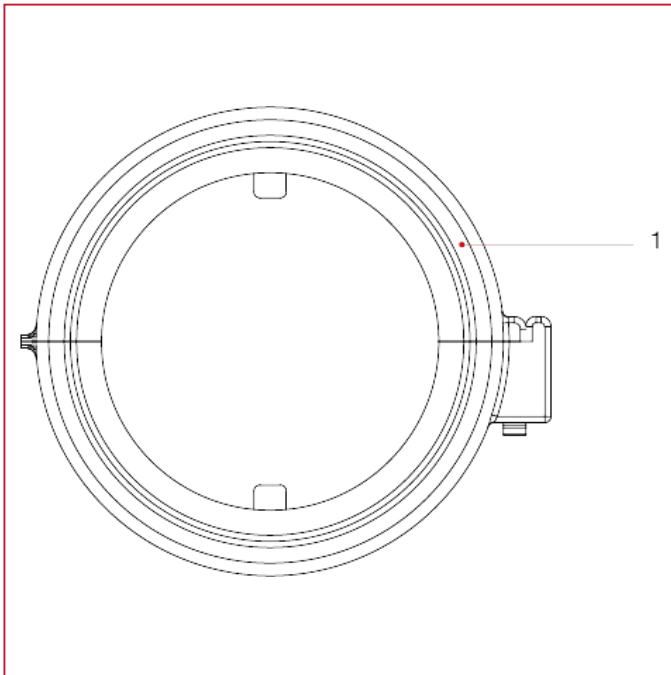




# THERMOSTATIC CONTROL HEADS

## **891GA** Tamper-proof cap for thermostatic control heads

### MATERIALS



POS.	DESCRIPTION	N.	MATERIAL
1	Tamper-proof cap	1	Nylon PA6