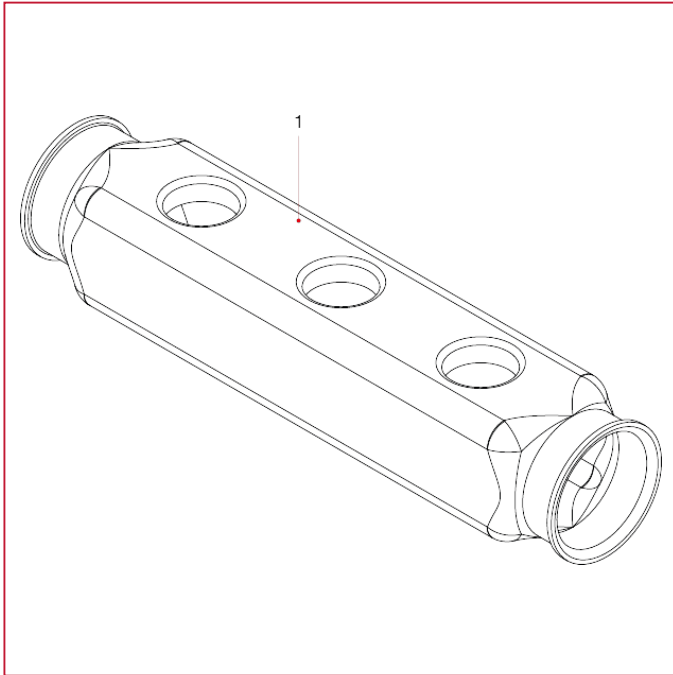




STAINLESS STEEL MANIFOLDS

862 Distribution manifold in stainless steel, bilateral outlets, centres distance mm.50

MATERIALS



POS.	DESCRIPTION	N.	MATERIAL
1	Body	1	Stainless steel AISI 304 L