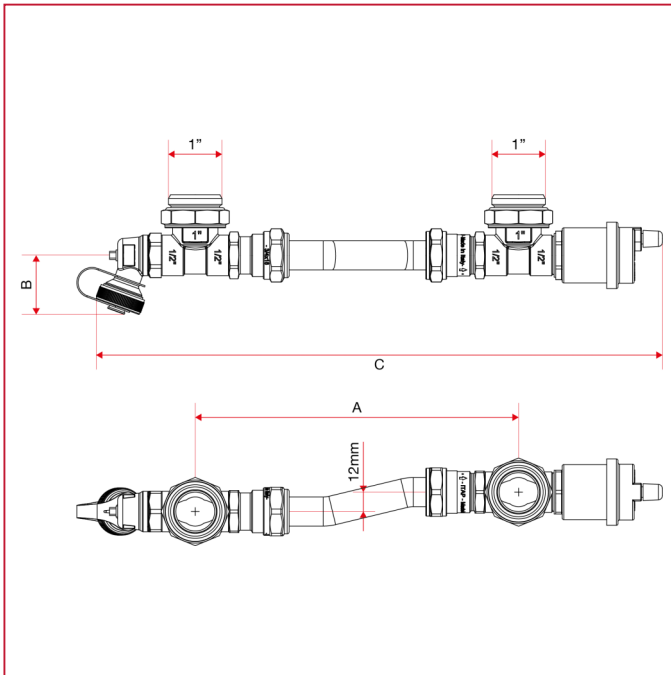




# ACCESSORIES FOR MANIFOLDS

## 860BY Off-centre by-pass kit

### OVERALL DIMENSIONS



	1"
A	200
B	36,5
C	350
Kg/cm <sup>2</sup> bar	10
LBS - psi	145