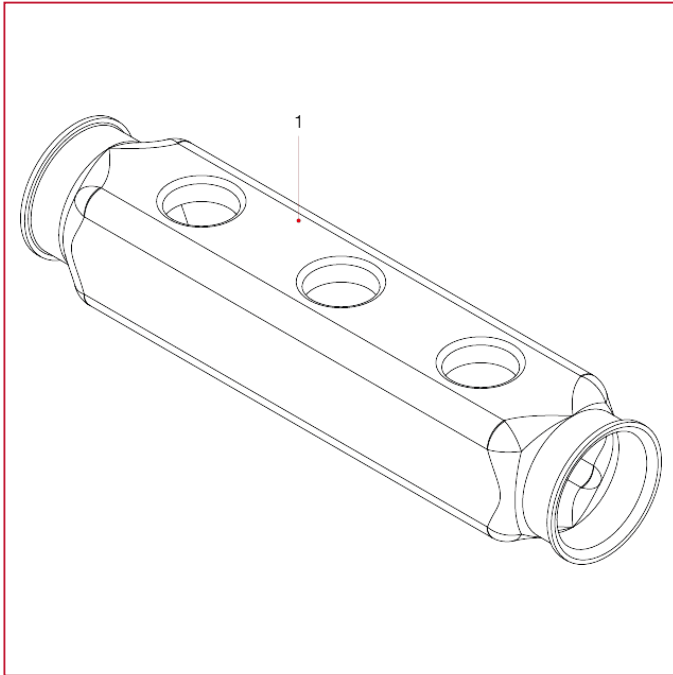




## STAINLESS STEEL MANIFOLDS

**852** Distribution manifold in stainless steel, centres distance mm.50

### MATERIALS



POS.	DESCRIPTION	N.	MATERIAL
1	Body	1	Stainless steel AISI 304 L