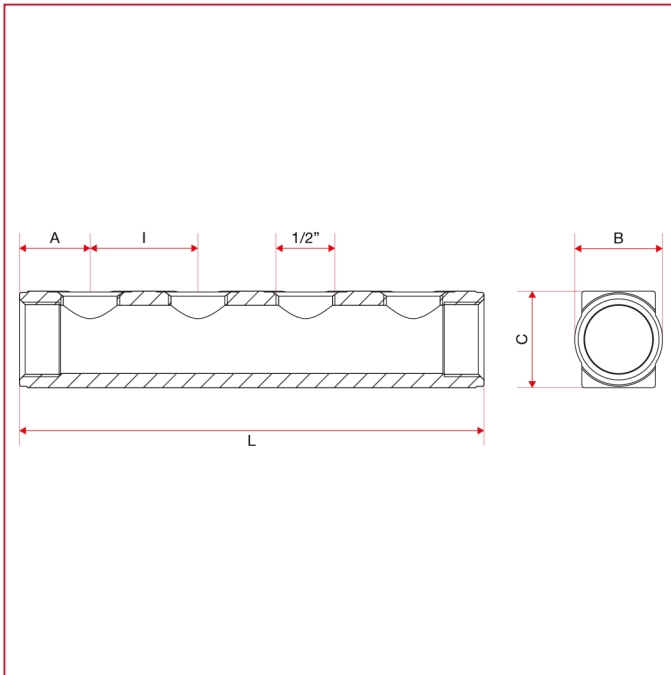




# NICKEL-PLATED DISTRIBUTION MANIFOLD MADE OUT OF BRASS BAR

## 850/50 Nickel-plated distribution manifold made out of brass bar

### OVERALL DIMENSIONS



#### 850/50-3/4"

	3/4" x 2	3/4" x 3	3/4" x 4	3/4" x 5	3/4" x 6	3/4" x 7	3/4" x 8	3/4" x 9	3/4" x 10
A	25	25	25	25	25	25	25	25	25
B	31	31	31	31	31	31	31	31	31
C	34	34	34	34	34	34	34	34	34
I	50	50	50	50	50	50	50	50	50
L	100	150	200	250	300	350	400	450	500
Kg/cm2 bar	10	10	10	10	10	10	10	10	10
LBS - psi	145	145	145	145	145	145	145	145	145

#### 850/50-1"

	1" x 2	1" x 3	1" x 4	1" x 5	1" x 6	1" x 7	1" x 8	1" x 9	1" x 10	1" x 11	1" x 12
A	30	30	30	30	30	30	30	30	30	30	30
B	37,5	37,5	37,5	37,5	37,5	37,5	37,5	37,5	37,5	37,5	37,5
C	37	37	37	37	37	37	37	37	37	37	37
I	50	50	50	50	50	50	50	50	50	50	50
L	110	160	210	260	310	360	410	460	510	560	610
Kg/cm2 bar	10	10	10	10	10	10	10	10	10	10	10
LBS - psi	145	145	145	145	145	145	145	145	145	145	145

#### 850/50-1"1/4

	1"1/4 x 2	1"1/4 x 3	1"1/4 x 4	1"1/4 x 5	1"1/4 x 6	1"1/4 x 7	1"1/4 x 8	1"1/4 x 9	1"1/4 x 10	1"1/4 x 11	1"1/4 x 12
A	30	30	30	30	30	30	30	30	30	30	30
B	47	47	47	47	47	47	47	47	47	47	47
C	50	50	50	50	50	50	50	50	50	50	50
I	50	50	50	50	50	50	50	50	50	50	50
L	110	160	210	260	310	360	410	460	510	560	610
Kg/cm2 bar	10	10	10	10	10	10	10	10	10	10	10
LBS - psi	145	145	145	145	145	145	145	145	145	145	145