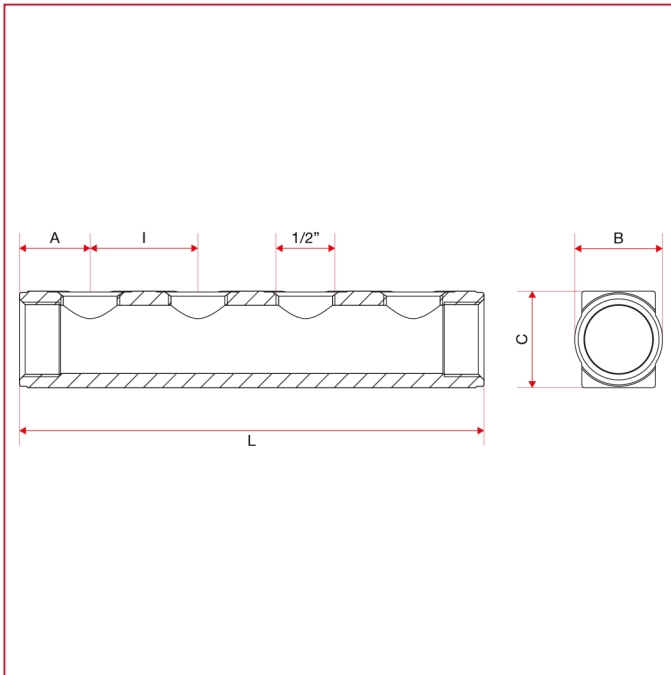




NICKEL-PLATED DISTRIBUTION MANIFOLD MADE OUT OF BRASS BAR

850/38 Nickel-plated distribution manifold made out of brass bar

OVERALL DIMENSIONS



850/38-3/4"

	3/4" x 2	3/4" x 3	3/4" x 4	3/4" x 5	3/4" x 6	3/4" x 7	3/4" x 8	3/4" x 9	3/4" x 10
A	25	25	25	25	25	25	25	25	25
B	31	31	31	31	31	31	31	31	31
C	34	34	34	34	34	34	34	34	34
I	38	38	38	38	38	38	38	38	38
L	88	126	164	202	240	278	316	354	392
Kg/cm ² bar	10	10	10	10	10	10	10	10	10
LBS - psi	145	145	145	145	145	145	145	145	145

850/38-1"

	1" x 2	1" x 3	1" x 4	1" x 5	1" x 6	1" x 7	1" x 8	1" x 9	1" x 10	1" x 11	1" x 12
A	30	30	30	30	30	30	30	30	30	30	30
B	37,5	37,5	37,5	37,5	37,5	37,5	37,5	37,5	37,5	37,5	37,5
C	37	37	37	37	37	37	37	37	37	37	37
I	38	38	38	38	38	38	38	38	38	38	38
L	98	136	174	212	250	288	326	364	402	440	478
Kg/cm ² bar	10	10	10	10	10	10	10	10	10	10	10
LBS - psi	145	145	145	145	145	145	145	145	145	145	145