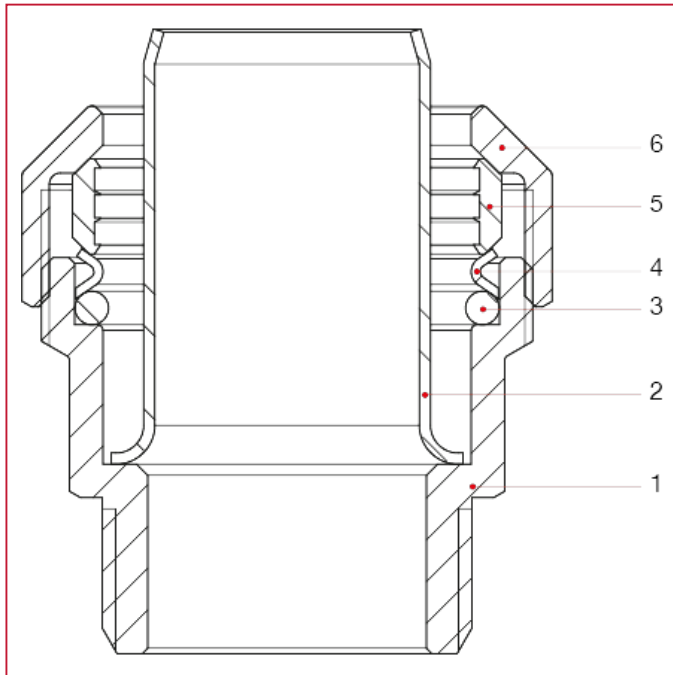




VX-N FITTINGS FOR POLYETHYLENE PIPES

715 Straight male connector

MATERIALS



| POS. | DESCRIPTION | N. | MATERIAL |
|------|-----------------------|----|--------------------------|
| 1 | Body | 1 | Brass CW617N |
| 2 | Liner | 1 | Stainless steel AISI 304 |
| 3 | O-ring | 1 | NBR |
| 4 | O-Ring pushing washer | 1 | Stainless steel AISI 304 |
| 5 | Fastening ring | 1 | Brass CW617N |
| 6 | Tightening nut | 1 | Brass CW617N |